

Roof exhaust vent

WD-E



Description

WD-E roof exhaust vents are used for rooftop termination of the ductwork to evacuate air to the outside. The outlet is protected against rain and snow by a sloping flange which deflects the water onto the side walls to drain it to the roofing. The standard roof exhaust vent is made from galvanized steel sheet and provided with an FLS steel flange.

The product is available on request with a male or female connection, and/or made from stainless steel or aluminium sheet

Available materials — Product code examples

WD-E-...-... - galvanized steel sheet

WD-E-K-...-... - 1.4301/304 stainless steel sheet

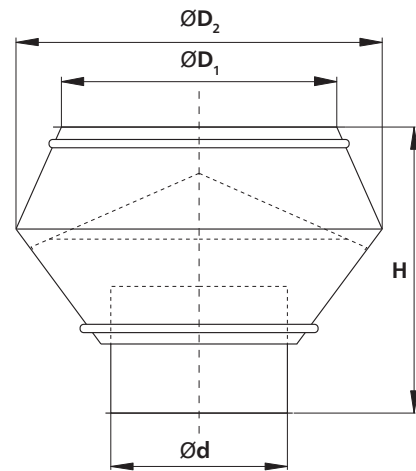
Product code example

Product code: **WD-E - aaa - bbb**

type _____
 Ød _____
 installation* _____

* NS - male connector

Dimensions



$\varnothing d_{nom}$ [mm]	$\varnothing D_1$ [mm]	$\varnothing D_2$ [mm]	H [mm]	Weight [kg]
125	185	225	450	2.3
150	220	270	490	2.7
160	230	290	510	2.8
200	280	360	575	3.6
250	350	450	630	5.2
300	400	520	680	6.6
315	440	570	710	7.5
355	500	640	750	9.9
400	560	720	800	13.0
450	630	810	860	15.7
500	700	900	915	19.3
560	790	1000	970	25.5
630	880	1135	1200	34.7
710	995	1280	1320	40.5
800	1120	1400	1500	56.5
1000	1400	1600	1600	74.0