

Round roof air intake unit

WD-C2



Description

WD-C2 roof exhaust vents are designed to minimize the ingress of rain into the ventilation ductwork. The available installation methods do not differ from those used for WD-C1 units, and the sloped design allows a larger cap for better protection against rain.

Connection method — Product code examples

- WD-C2-...- - with FLS steel flange (standard version)
- WD-C2-...-NSL - male connector with gasket
- WD-C2-...-NYPLOWE - male connector w/o gasket
- WD-C2-...-MF - female connection for fittings
- WD-C2-...-NA RURE - double-sided male connector, slid over the duct

Available materials — Product code examples

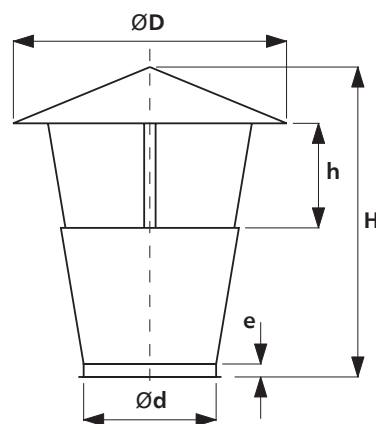
- WD-C2-...-... - galvanized steel sheet
- WD-C2-K-...-... - 1.4301/304 stainless steel sheet
- WD-C2-A-...-... - aluminium sheet
- WD-C2-CU-...-... - copper sheet

Product code example

Product code: **WD-C2 - aaa - bbb**

| | | | | | |
|------------|--|--|--|--|--|
| type | | | | | |
| Ød | | | | | |
| connection | | | | | |

Wymiary



| $\varnothing d_{nom}$ [mm] | $\varnothing D_{nom}$ [mm] | H [mm] | h [mm] | Weight [kg] |
|-------------------------------|-------------------------------|-----------|-----------|----------------|
| 100 | 200 | 170 | 40 | 0.7 |
| 125 | 250 | 210 | 40 | 1.0 |
| 140 | 280 | 235 | 50 | 1.2 |
| 150 | 320 | 250 | 50 | 1.4 |
| 160 | 320 | 260 | 50 | 1.5 |
| 200 | 400 | 340 | 60 | 2.0 |
| 250 | 500 | 400 | 75 | 3.2 |
| 315 | 630 | 520 | 95 | 5.0 |
| 355 | 700 | 575 | 100 | 5.8 |
| 400 | 800 | 640 | 105 | 8.3 |
| 450 | 900 | 740 | 110 | 10.8 |
| 500 | 1000 | 810 | 110 | 15.8 |
| 630 | 1260 | 1010 | 120 | 25.7 |
| 710 | 1400 | 1050 | 140 | 29.0 |
| 800 | 1600 | 1260 | 160 | 41.4 |
| 900 | 1800 | 1430 | 200 | 49.5 |