

Cylindrical roof ventilator

WD-B



Description

The type B cylindrical roof exhaust vents are made from galvanized steel sheet in the standard version. The bottom part features an FLS steel flange for connection with the roof base.

Other connection types and materials are available.

Connection method — Product code examples

- WD-B-...- - with FLS steel flange (standard version)
- WD-B-...-NSL - male connector with gasket
- WD-B-...-NYPLOWE - male connector w/o gasket
- WD-B-...-MF - female connection for fittings
- WD-B-...-NA RURE - double-sided male connector, slid over the duct

Available materials — Product code examples

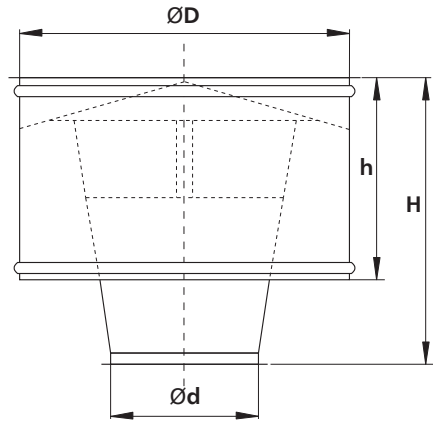
- WD-B-...-... - galvanized steel sheet
- WD-B-K-...-... - 1.4301/304 stainless steel sheet
- WD-B-A-...-... - aluminium sheet
- WD-B-CU-...-... - copper sheet

Product code example

Product code: **WD-B - aaa - bbb**

type _____
 Ød _____
 connection _____

Dimensions



$\varnothing d_{nom}$ [mm]	$\varnothing D_{nom}$ [mm]	H [mm]	h [mm]	Weight [kg]
100	200	160	120	1,0
125	250	205	150	1,4
150	320	250	190	1,9
160	320	265	190	2,0
200	400	330	240	3,1
250	500	415	300	5,0
300	580	500	330	7,0
315	630	520	350	8,2
355	710	590	400	10,5
400	800	660	450	13,9
450	900	730	500	15,7
500	1000	825	550	19,9
630	1260	1040	700	38,4
800	1600	1270	900	63,6
1000	1780	1460	950	83,5