

Sloping roof base

TAGF



Description

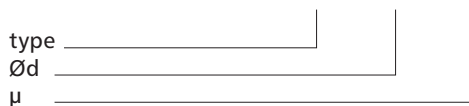
TAGF roof bases are designed for installation of roof air intakes or exhaust vents without using steel flanges. Both ends of the roof base are male connections and match fittings and roof air intakes / exhausts provided with female connections. When ordering, specify the roof base inclination angle suitable for your roof slope. A roof base is a two-piece product composed of a shifting inner duct for adjusting the height over the roof. Once installed, the joints should be sealed, e.g. with TALT tape. The product is also available, on special request, with female connections or made from aluminium or stainless steel sheet

Available materials - Product code examples

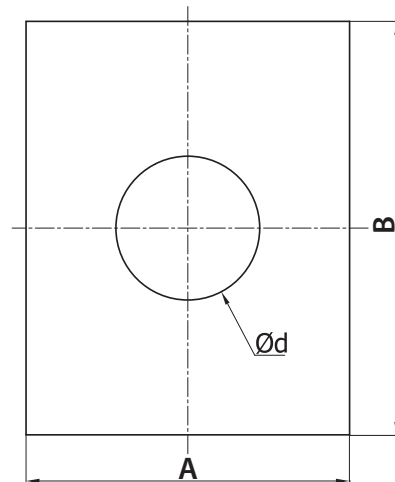
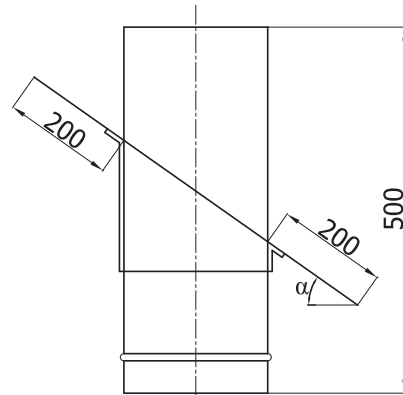
- TAGF-...-... - galvanized steel sheet
- TAGF-K-...-... - 1.4301/304 stainless steel sheet
- TAGF-K-...-...-316L - 1.4404/316L stainless steel sheet
- TAGF-A-...-... - AW-1050A H24 aluminium sheet
- TAGF-CU-...-... - M1E z4 copper sheet

Product code example

Product code: TAGF - aaa - bbb



Dimensions



Product code	Ød _{nom} [mm]	A [mm]	B [mm]
TAGF-100	100	500	500
TAGF-125	125	525	525
TAGF-150	150	550	550
TAGF-160	160	560	560
TAGF-180	180	580	580
TAGF-200	200	600	600
TAGF-224	224	624	624
TAGF-250	250	625	625
TAGF-315	315	715	715
TAGF-355	355	755	755
TAGF-400	400	800	800
TAGF-450	450	850	850
TAGF-500	500	900	900
TAGF-560	560	960	960
TAGF-630	630	1030	1030