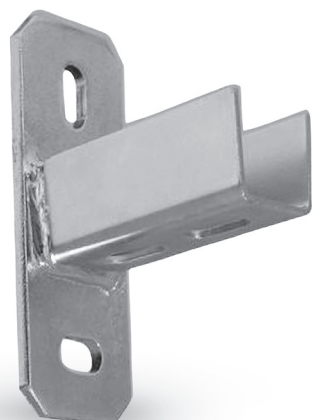


# Channel & strut base fitting

## ST-P



### Description

ST-P base fittings are fixtures for LDB and LDBST channels. There are two baseplate slots for fastening the base fitting with anchors and bolts and two slots on the stub arm for fastening an LDBST channel strut. The bean-shaped slots enable precise and smooth adjustment of the jointed parts. The base fitting has various uses in construction and installation projects. This product can be used outdoors with a hot-dip galvanized finish.

#### Available materials — Product code example

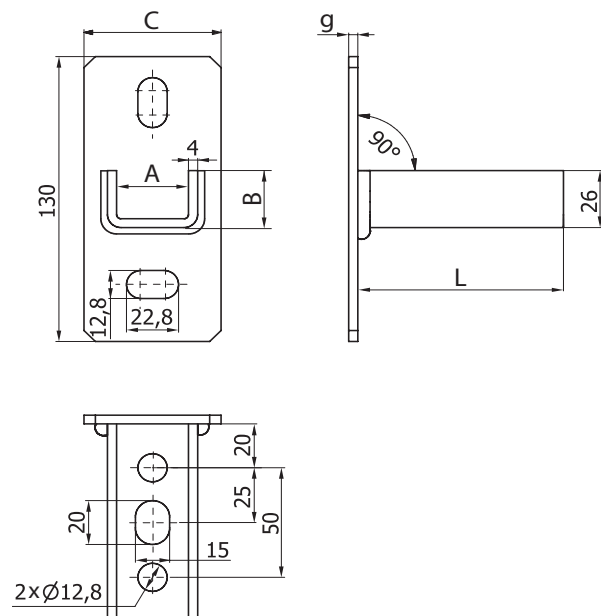
- ST-P-... — galvanized steel sheet
- ST-P-K-... — 1.4301/304 stainless steel sheet
- STO-P-... — hot-dip galvanized steel sheet

#### Product code example

Product code: **ST-P - 30**

type   
width

### Dimensions



Product code	A (mm)	B (mm)	C (mm)	L (mm)	g (mm)
ST-P-30	31	26	60	90	4
ST-P-40	42	26	70	90	4

### Installation method

