

Segmented collar saddle

SPSL



Description

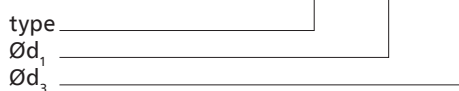
SPSL short segmented collar saddles are universal pieces for fabricating ventilation duct T-pieces. They can also be used as splices for branching the main round ventilation ducts with SPIRAL ducts, FLX flexible ducts, or aluducts. The end with an EPDM gasket meets Requirements of air tightness class D according to EN 122347. While the flange installed on a round duct is rather short (5-7 mm) and requires careful handling, the low material consumption makes the product very affordable.

Available materials — Product code example

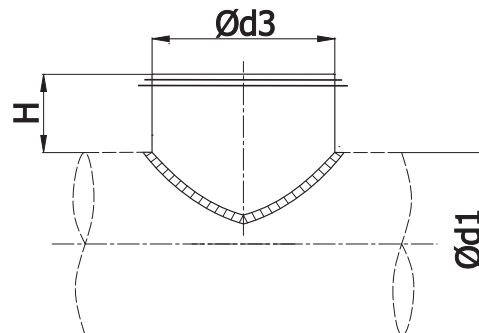
- SPSL-... -... — galvanized steel sheet
- SPSL-K-... -... — 1.4301/304 stainless steel sheet
- SPSL-K-... -...-316L — 1.4404/316L stainless steel sheet, molybdenum-enriched
- SPSL-A-... -... — AW-1050A H24 aluminium sheet
- SPSL-CU-... -... — M1E z4 copper sheet

Product code example

Product code: **SPSL - aaa - bbb**



Dimensions



$\text{Ø}d_{1, \text{nom}}$ (mm)	$\text{Ø}d_{3, \text{nom}}$ (mm)	H (mm)	Weight (kg)
100	100	60	0.30
125	100	60	0.35
	125	60	0.40
140	140	60	0.45
150	140	60	0.60
160	100	60	0.42
	125	60	0.48
	140	60	0.65
	160	60	0.70
180	140	60	0.70
	180	60	0.80
200	100	60	0.50
	125	60	0.60
	140	60	0.62
	160	60	0.70
	180	60	0.78
	200	60	0.82
224	140	60	0.90
	180	60	1.00
	224	60	1.15
250	125	60	0.80
	140	60	1.00
	160	60	0.90
	180	60	1.20
	200	60	1.30
280	140	60	1.00
	180	60	1.10
	200	60	1.20
	224	60	1.50
	280	80	1.80
300	140	60	1.26
	180	60	1.42
	200	60	1.45
	224	60	1.60
	250	60	1.80
	300	80	2.00

Segmented collar saddle

SPSL

Dimensions

$\varnothing d_{1\text{ nom}}$ (mm)	$\varnothing d_{3\text{ nom}}$ (mm)	H (mm)	Weight (kg)
315	140	60	1.30
	180	60	1.45
	200	60	1.50
	224	60	1.68
	250	60	1.80
	280	60	1.90
	300	80	2.00
	315	80	2.13
	355	100	60
125		60	1.40
140		60	1.48
150		60	1.50
160		60	1.60
180		60	1.60
200		60	1.80
400		100	60
	125	60	1.78
	140	60	1.85
	150	60	1.90
	160	60	1.95
	180	60	2.00
	200	60	2.20
	224	60	2.30
	250	60	2.45
	280	60	2.60
	300	80	2.80
	315	80	2.85
	355	80	3.00
	400	80	3.32
	400*	70	2.20
450*	40	2.10	
450	100	60	1.85
	125	60	2.00
	140	60	2.00
	150	60	1.90
	160	60	1.95
	180	60	2.30
	200	60	2.46
	224	60	2.57
	250	60	2.74
	280	60	3.00
	300	80	3.10
	315	60	3.00
	355	80	3.40
	400	80	3.80
	450	80	4.00

$\varnothing d_{1\text{ nom}}$ (mm)	$\varnothing d_{3\text{ nom}}$ (mm)	H (mm)	Weight (kg)	
500	100	60	2.00	
	125	60	2.20	
	140	60	2.30	
	160	60	2.45	
	180	60	2.54	
	200	60	2.73	
	224	60	2.85	
	250	60	3.00	
	300	70	3.35	
	315	80	3.50	
	355	80	3.75	
	400	80	4.20	
560	450	80	4.40	
	500	80	4.68	
	200	60	3.50	
	224	60	3.80	
	250	60	4.00	
	280	60	4.10	
	300	70	4.50	
	315	80	4.66	
	355	80	4.98	
	400	80	5.45	
	450	80	5.80	
	500	80	6.25	
600	560	80	6.70	
	224	60	4.00	
	250	60	4.35	
	300	70	4.80	
	315	80	4.85	
	355	80	5.20	
	400	80	5.80	
	450	80	6.00	
	500	80	6.50	
	600	80	7.50	
	630	200	60	4.10
		224	60	4.30
250		60	4.55	
280		60	4.80	
300		70	5.00	
315		80	5.20	
355		80	5.40	
400		80	6.27	
450		80	6.50	
500		80	6.95	
560		80	7.30	
630		80	8.20	