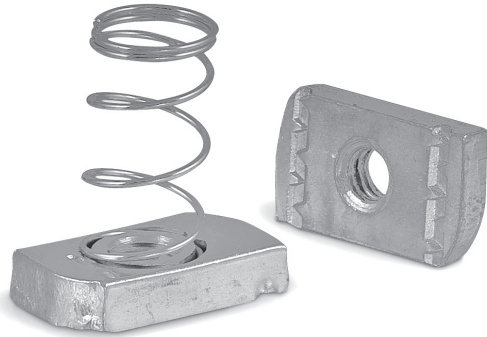


Channel nuts SNP/SNL/SNKL



Description

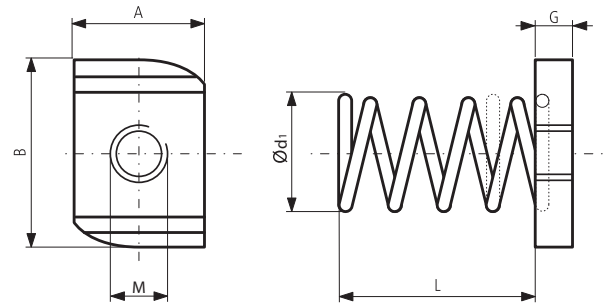
SNP, SNL and SNKL unistrut channel nuts are designed for fastening PG threaded rods to LDBST Strut channels. SNL and SNKL units feature springs to eliminate the nut vibration from the channel strut. The spring also facilitates securing the unistrut channel nut.

- SNP** - without a spring
- SNL** - with a long spring for 41x41 channels
- SNKL** - with a short spring for 41x21 channels

Available materials - Product code example
SNL-... - galvanized steel sheet

Product code example
Product code:
type

Dimensions



Product code	M (mm)	Ød ₁ (mm)	A (mm)	B (mm)	G (mm)	L (mm)
SNP-0606	M6	-	20	35	6	-
SNP-0806	M8	-	20	35	6	-
SNP-1008	M10	-	20	35	8	-
SNP-1212	M12	-	20	35	12	-
SNL-0606	M6	18	20	35	6	30
SNL-0806	M8	18	20	35	6	30
SNL-1008	M10	18	20	35	8	30
SNL-1212	M12	18	20	35	12	30
SNKL-0606	M6	18	20	35	6	15
SNKL-0806	M8	18	20	35	6	15
SNKL-1008	M10	18	20	35	8	15
SNKL-1212	M12	18	20	35	12	15

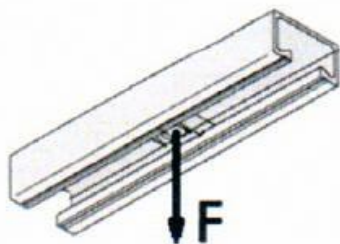
Channel nuts

SNP/SNL/SNKL

Technical data

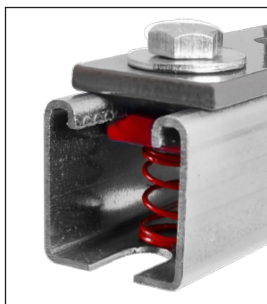
Code	Tightening torque [Nm]	Maximum load F [N]
SNP-0606	19,6	8700
SNP-0806	20,6	8700
SNP-1008	35,7	10100
SNP-1212	51,0	15800
SNL-0606	19,6	8700
SNL-0806	20,6	8700
SNL-1008	35,7	10100
SNL-1212	51,0	15800
SNKL-0606	19,6	8700
SNKL-0806	20,6	8700
SNKL-1008	35,7	10100
SNKL-1212	51,0	15800

Load diagram



Installation method

SNL



SNKL

