

## Pumps

**PIS-POMP****Description**

The pneumatic piston pump can transfer and batch out liquid products such as sealants.

The product includes a pneumatic piston pump, an air treatment unit, and a plain PTFE hose with stainless steel couplings.

## Technical parameters:

Ratio	4:1
Pneumatic motor	3"
Supply	1.5 to 103 bar
Max pressure output	- 41.4 bar
Max capacity	- 8.062 l/min
Strokes	- 120/min
Air supply port size	- 1/4"
Pump outlet port size	- 3/4", female
Max flow rate	- 50 dm <sup>3</sup> /s
Max operating temperature	- 50°C

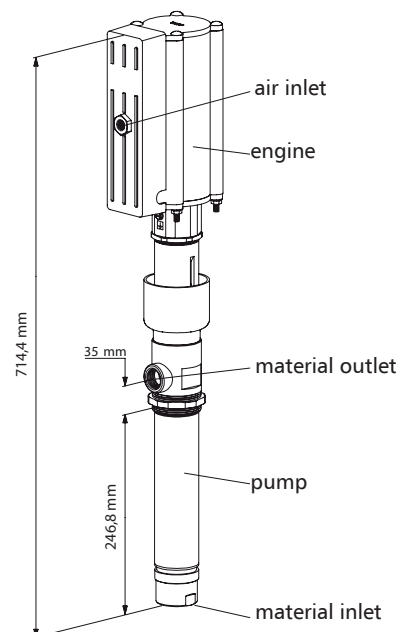
## Product code example

Product code: **PIS-POMP**

type \_\_\_\_\_

**Dimensions**

## Pneumatic piston pump



## Air treatment unit

