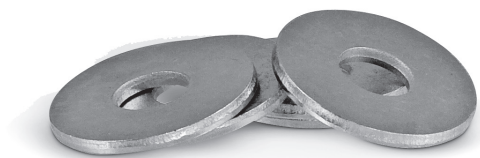


Steel washers for bolts and nuts

PDS



Description

Steel washers are universal construction and assembly fasteners also designed for fabrication and installation of ventilation components. PDS-P wide washers can be used with steel washers and nuts for bolting square duct flange frames at the corners. They are also used for fabricating air intake units, roof bases and exhaust units. They are essential for connecting LDB fixing rail and STRUT channel.

Available materials — Product code example

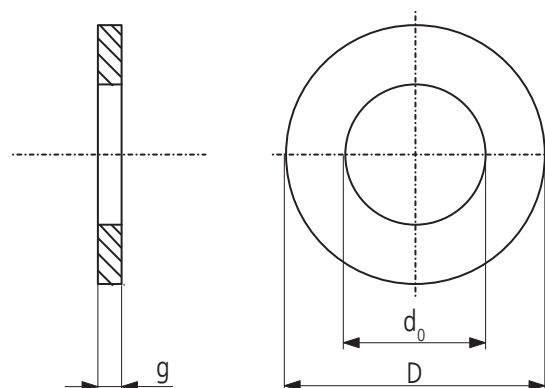
PDS-... — galvanized steel sheet

Product code example

Product code: **PDS - 8**

type _____
 diameter _____

Dimensions



Standard PDS washers, DIN 125 sizes

Product code	$\varnothing d_0$ (mm)	$\varnothing D$ (mm)	g (mm)	Weight (kg/100)
PDS-6	6.4	12	1.6	0.10
PDS-8	8.4	16	1.6	0.18
PDS-10	10.5	20	2.0	0.37
PDS-12	13.0	24	2.5	0.50

Wide PDS-P washers, DIN 9021 sizes

Product code	$\varnothing d_0$ (mm)	$\varnothing D$ (mm)	g (mm)	Weight (kg/100)
PDS-P-8	8.4	24	2.0	0.62
PDS-P-10	10.5	30	2.5	1.22
PDS-P-12	13.0	37	3.0	2.22

Corrugated PDS-K washers, DIN 6798 sizes

Product code	$\varnothing d_0$ (mm)	$\varnothing D$ (mm)	g (mm)	Weight (kg/100)
PDS-K-8	8.4	15	0.7	0.07
PDS-K-10	10.5	18	0.9	0.12
PDS-K-12	13.0	20	1.0	0.14