

Roof base for round ductwork systems

PD-B1



Description

The type B1 lightweight roof bases are suitable for round ductwork systems. The standard version is made from galvanized steel sheet and designed for flat roofs. The top part of the roof base comes with a FLS steel flange in the standard version. The roof base is available on request with a male connector or a connector provided with an EPDM rubber gasket. Other versions available on request include roof bases designed for sloping roofs or made from stainless steel sheet or aluminium sheet. The roof base is a perfect match for roof intakes, roof exhaust vents, and roof ventilators (fans).

Available materials — Product code examples

- PD-B1-...-... - galvanized steel sheet
- PD-B1-K-...-... - 1.4301/304 stainless steel sheet
- PD-B1-A-...-... - aluminium sheet

Product code example

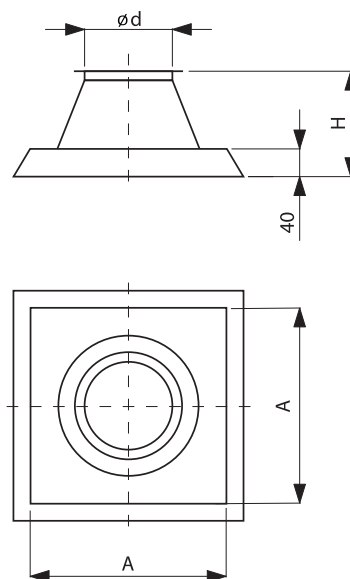
Product code: **PD-B1 - aaa - bbb**

type	_____	_____	_____
Ød	_____	_____	_____
installation*	_____	_____	_____

* GALA - EPDM gasket

* NS - male connection w/o gaskets

Dimensions



$\varnothing d_{nom}$ [mm]	A [mm]	H [mm]	Weight [kg]
100	280	180	2.10
125	300	180	2.22
140	360	180	2.79
150	380	180	2.78
160	400	180	2.90
200	440	180	3.32
250	470	200	4.10
300	510	200	4.68
315	530	200	4.93
355	610	200	5.72
400	630	200	6.06
450	720	200	6.97
500	740	200	7.31
560	800	240	9.36
630	900	240	10.80
710	1020	240	12.83
800	1100	280	14.76
1000	1270	280	18.29