

Take-off with mesh ILSN/ILSNL



Description

ILSN / ILSNL take-offs are male-ended fittings to be inserted directly into round SPIRAL or plain ducts. The 12.7x12.7 mm mesh installed at the take-off end secures the air exhaust against birds, large insects, leaves or debris. This is the simplest form of ductwork termination with a minimum air intake/exhaust flow resistance. ILSN units are available with a female end on request for connection with a ventilation bend.

ILSN — Angle take-off with a mesh and without a gasket
ILSNL — Angle take-off with a mesh and an EPDM gasket

Available materials — Product code example

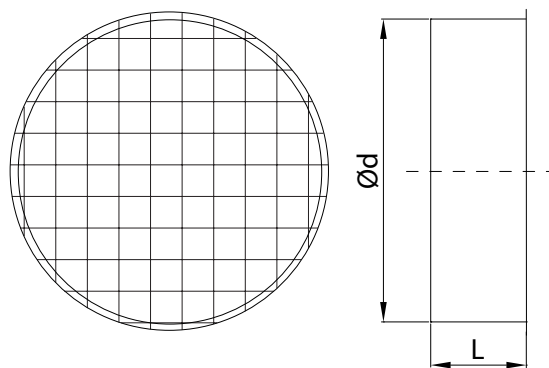
ILSN-... — galvanized steel sheet
 ILSN-K-... — 1.4301/304 stainless steel sheet
 ILSN-K-...- 316L — 1.4404/316L stainless steel sheet, molybdenum-enriched

Product code example

Product code: **ILSN - 160**

type _____
 Ød _____

Dimensions



Type	Ød (mm)	L (mm)
ILSN-80	80	47
ILSN-100	100	47
ILSN-110	110	47
ILSN-125	125	47
ILSN-140	140	47
ILSN-150	150	47
ILSN-160	160	47
ILSN-180	180	47
ILSN-200	200	47
ILSN-224	224	47
ILSN-250	250	47
ILSN-280	280	47
ILSN-300	300	47
ILSN-315	315	47
ILSN-355	355	73
ILSN-400	400	93
ILSN-450	450	93
ILSN-500	500	93
ILSN-560	560	93
ILSN-600	600	93
ILSN-630	630	93
ILSN-710	710	122
ILSN-800	800	122
ILSN-900	900	122
ILSN-1000	1000	137
ILSN-1120	1120	137
ILSN-1250	1250	137