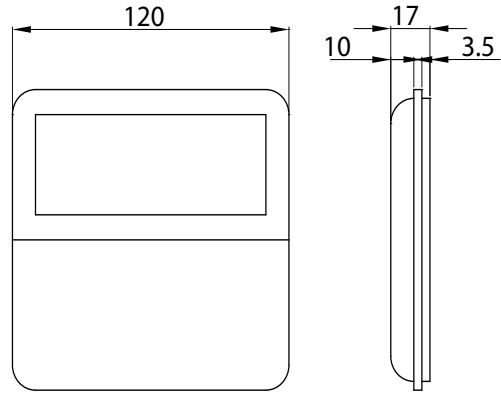


# Heat recovery ventilator controller HRU-CONTR



## Dimensions



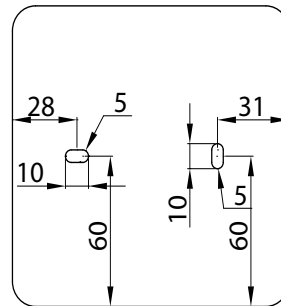
## Description

The HRU-CONTR is a control panel for operation of a heat recovery ventilator. The HRU-CONTR controller allows programming a weekly operating timer. The connection with a heat recovery ventilator is made with a standard 5-metre wire supplied with the product.

### Product code example

Product code: **HRU-CONTR**

type \_\_\_\_\_



## Wiring connection diagram

