

Air intake and roof exhaust units

HAN/HAF**Description**

HAN/HAF roof exhaust units are suitable for both industrial and housing ventilation systems.

The air is exhausted in a vertical stream to avoid contamination of the air and the nearby roof surface. This roof exhaust unit is so efficient that roof air intakes can be installed very close by.

The standard version is made from galvanized steel sheet; non-standard versions in stainless steel sheet, aluminium sheet, or plastic-coated steel sheet (in various colours) are available on request. The roof exhaust unit is topped with a 1/2-inch wire mesh and has an inner deflector flange for protection against snow and drainage of water to the outside of the vent.

Standard HAN roof exhaust units are manufactured with male flanges, female flanges, and double-sided female connections (for sliding over a duct).

Standard HAF roof exhaust units come with FLS steel flanges.

NOTE:

HAN - mounted over a fitting (female connector), into a duct (male connector), or over a duct (double-sided female connector);,

HAF - FLS steel flange connection.

Available materials — Product code examples

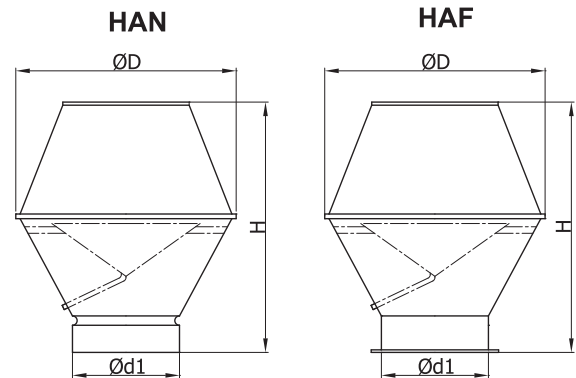
HAN/HAF-...- galvanized steel sheet

HAN/HAF-K-...- 1.4301/304 stainless steel sheet

Product code example

Product code: **HAN - aaa**

type _____
 Ød₁ _____

Dimensions

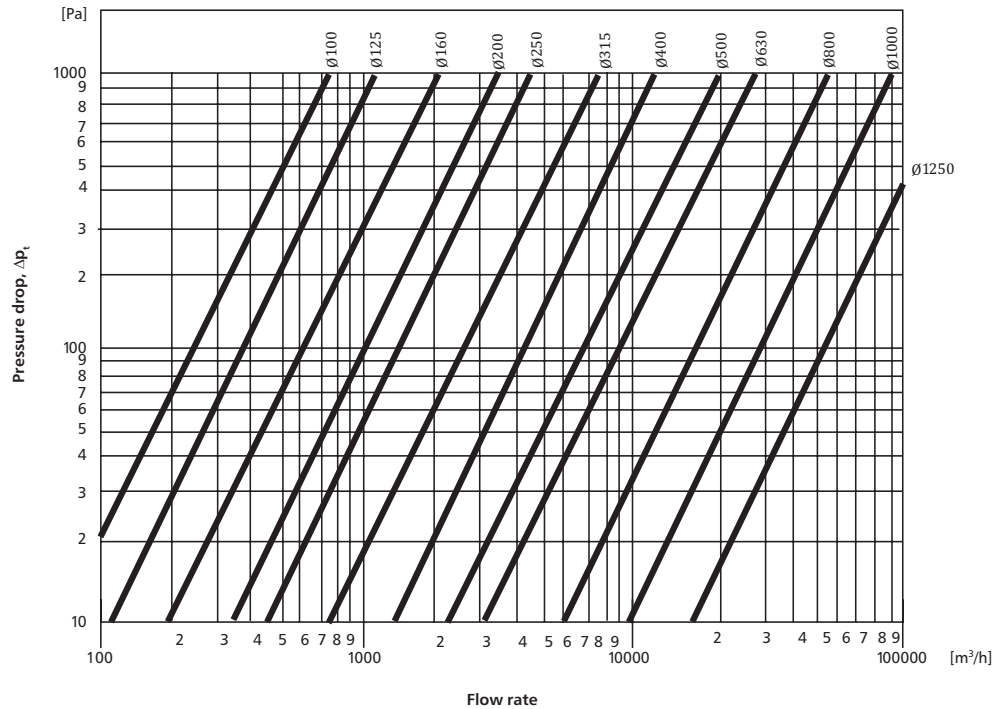
H = installation height for HAN/HAF

Ød ₁ [mm]	ØD [mm]	H [mm]	HAF weight (kg)	HAN weight (kg)
100	180	220	1,1	0,7
125	225	240	1,4	0,9
140	245	280	1,5	1,0
150	265	315	1,8	1,3
160	280	340	1,9	1,3
180	310	375	2,2	1,6
200	345	420	2,8	2,1
224	385	475	3,1	2,3
250	430	505	3,7	2,9
280	480	585	5,3	4,2
300	515	600	6,2	5,0
315	550	620	7,7	6,4
355	615	705	9,3	7,9
400	685	905	15,7	14,1
450	775	970	18,3	16,5
500	855	1055	21,3	19,3
560	955	1170	25,9	23,4
600	1015	1255	32,0	29,3
630	1075	1300	33,5	30,7
710	1215	1490	46,3	43,1

HAN/HAF

Technical specifications

Pressure drop



Sound ratings

