

Duct gate damper for air ventilation and dust extraction systems

GKL/GK



Description

The hand-operated duct gate damper is designed for air ventilation and dust extraction systems which carry particulates of sawdust, EPS debris, or other light air fractions of solids. An advantage is the sliding gate which opens the passage to full clearance, without any obstruction by closure edges or pivot rods. The gate damper is a rigid structure made of 1-mm thick galvanized steel sheet, to which ILS flanges (GK gate damper) or ILSL flanges with gaskets (GKL gate damper) are attached. Gate dampers can be requested with FLS steel flanges or upturns for use with quick clamps.

GK — plain end flange gate damper
 GSL — gatedamperwithEPDMgasketsattheflanges,air tightness class D according to EN 12237

Available materials — Product code examples

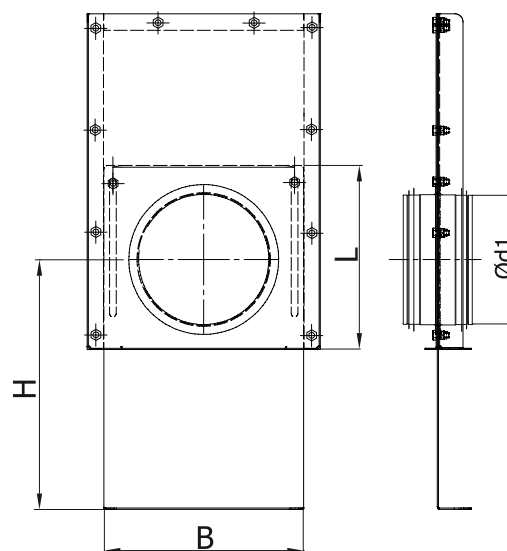
GKL-... — galvanized steel sheet
 GKL-K... — 1.4301/304 stainless steel sheet
 GKL-K-...-316L — 1.4404/316L stainless steel sheet
 GKL-A-... — aluminium sheet

Product code example

Product code: **GKL - aaa**

type _____
 Ød₁ _____

Dimensions



Ød ₁ (mm)	A (mm)	B (mm)	C (mm)	D (mm)	Weight (kg)
100	184	210	320	455	3.15
125	209	290	400	555	4.35
150	244	300	405	590	5.05
160	244	300	405	600	5.15
200	315	370	515	750	7.05
400	484	675	915	1355	18.20