

DASLI



Description

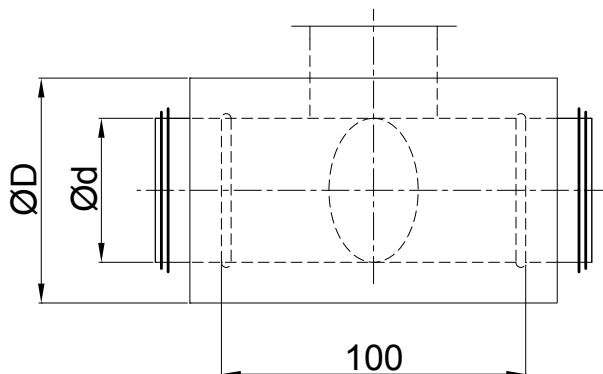
The DASLI dampers can be installed in ductwork systems which do not require full air tightness. The damper blade position is read from the control handle, which can be locked in position with screws.

Product code example

Product code: **DASLI - 25 - 200**

type	_____
insulation	_____
Ød	_____

Dimensions



25 mm insulation					
Ød (mm)	ØD (mm)	Weight (kg)	Ød (mm)	ØD (mm)	Weight (kg)
100	150	0.9	250	300	2.5
125	180	1.1	280	315	3.1
140	200	1.2	300	355	3.4
150	200	1.3	315	355	3.7
160	224	1.4	355	400	4.4
180	224	1.5	400	450	5.5
200	250	1.9	450	500	6.5
224	280	2.1	500	560	7.4

50 mm insulation					
Ød (mm)	ØD (mm)	Weight (kg)	Ød (mm)	ØD (mm)	Weight (kg)
100	200	1.2	250	355	3.2
125	224	1.4	280	400	4.1
140	250	1.7	300	400	4.3
150	250	1.8	315	400	4.6
160	250	1.9	355	450	5.2
180	280	2.0	400	500	6.2
200	300	2.0	450	560	7.3
224	315	2.7	500	600	9.3

100 mm insulation					
Ød (mm)	ØD (mm)	Weight (kg)	Ød (mm)	ØD (mm)	Weight (kg)
100	300	1.5	250	450	3.9
125	315	1.8	280	500	4.2
140	355	2.1	300	500	4.3
150	355	2.4	315	500	4.5
160	355	2.6	355	560	5.1
180	400	2.8	400	600	5.7
200	400	3.0	450	630	6.2
224	450	3.5	500	710	6.5