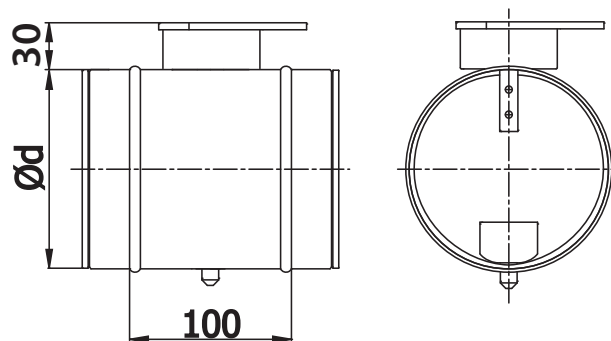


Round ventilation damper w/o gaskets

DAS-PVC



Dimensions



Description

The DAS-PVC dampers are designed for cladding with up to 30 mm thick insulation.

The DAS-PVC shutoff damper is a good choice when the ductwork closure does not have to be fully airtight. The damper closure position can be read on the 0° to 90° dial of the control handle. The damper closure opening ratio can be fixed with a screw. The product has safe edges.

Available materials — Product code examples

- DAS-PVC-... — galvanized steel sheet
- DAS-PVC-K... — 1.4301/304 stainless steel sheet
- DAS-PVC-K-...-316L — 1.4404/316L stainless steel sheet
- DAS-PVC-A-... — aluminium sheet
- DAS-PVC-CU-... — copper sheet

Product code example

Product code: **DAS-PVC - aaa**

type _____
 Ød₁ _____

$\varnothing d_{1\text{ nom}}$ (mm)	Weight (kg)
80	0.40
100	0.46
125	0.55
140	0.60
150	0.65
160	0.70
180	0.75
200	0.80
224	0.90
250	1.10
280	1.30
300	1.45
315	1.50