

SPIRAL duct shutoff damper

DAS-CV



Description

The DAS-CV dampers are designed for cladding with up to 50 mm thick insulation.

The DAS-CV shutoff damper is a good choice when the ductwork closure does not have to be fully airtight. The damper closure position can be read on the 0° to 90° dial of the control handle. The damper closure opening ratio can be fixed with a screw.

The DAS-CV shutoff damper can be easily adapted for mounting Belimo power actuators. The power actuator must be compatible with the 8x8 mm square bar.

The product has safe edges.

Available materials — Product code examples

DAS-CV-... — galvanized steel sheet

DAS-CV-K-... — 1.4301/304 stainless steel sheet

DAS-CV-K-...-316L — 1.4404/316L stainless steel sheet

DAS-CV-A-... — aluminium sheet*

DAS-CV-CU-... — copper sheet

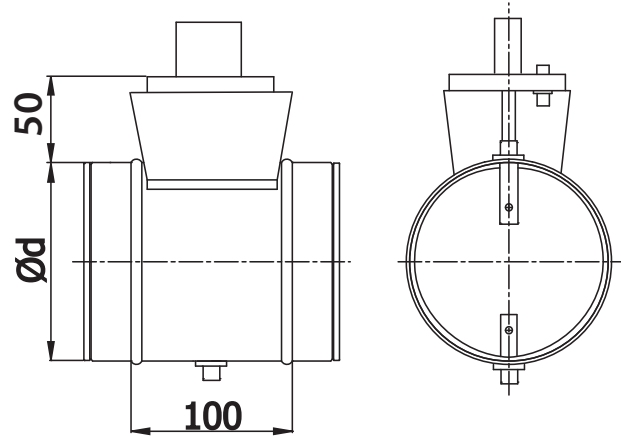
*KIT-DS-CV-K damper mechanism

Product code example

Product code: **DAS-CV - aaa**

type _____
 Ød₁ _____

Dimensions



Ød _{1 nom} (mm)	Weight (kg)
80	0.40
100	0.46
125	0.55
140	0.60
150	0.65
160	0.70
180	0.75
200	0.80
224	0.90
250	1.10
280	1.30
300	1.45
315	1.50
355	2.00
400	2.60