

Regulating damper with perforated closure

DAPL-CV



Description

The DAPL-CV damper with EPDM gaskets at both flange connections is designed for cladding with up to 50 mm thick insulation. The DAPL-CV shutoff damper is a good choice when the ductwork closure does not have to be fully airtight. The perforated closure provides an even air flow without turbulence.

The damper closure position can be read on the 0° to 90° dial of the control handle. The damper closure opening ratio can be fixed with a screw. The DAPL-CV shutoff damper can be easily adapted for mounting Belimo power actuators. The power actuator must be compatible with the 8x8 mm square bar. The product has safe edges.

Closing the damper closure allows 35% of the rated air flow to pass.

Available materials — Product code examples

DAPL-CV-... — galvanized steel sheet

DAPL-CV-K-... — 1.4301/304 stainless steel sheet

DAPL-CV-K-...-316L — 1.4404/316L stainless steel sheet

DAPL-CV-A-... — aluminium sheet*

DAS-PVC-CU-... — copper sheet

*KIT-DS.-CV-K damper mechanism

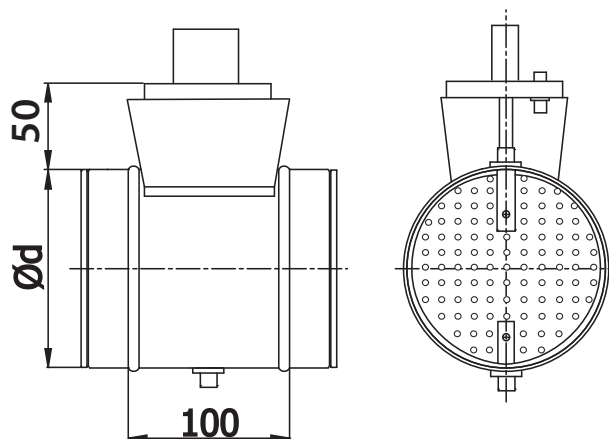
Product code example

Product code: **DATL-CV - aaa**

type _____

Ød₁ _____

Dimensions



Ød _{1 nom} (mm)	Weight (kg)
80	0.40
100	0.45
125	0.55
140	0.60
150	0.65
160	0.70
180	0.75
200	0.80
224	0.90
250	1.20
280	1.40
300	1.50
315	1.60
355	2.00
400	2.60