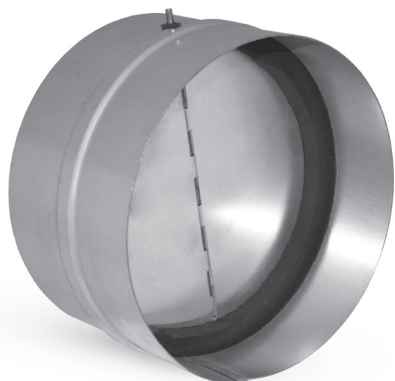


Round non-return damper

DAOS



Description

The DAOS dampers feature a split flap closure and allow the air flow to pass in one direction only. The aluminium closure flaps are pressed against a foam seal when closed to reduce the operating noise in the ductwork. The split flap closure is held closed with a spring gear, which makes it also possible to use the damper in vertical installations. A version intended for a full-male insertion into the ductwork ends is available on special request.

Available materials — Product code examples

DAOS-... — galvanized steel sheet

DAOS-K-... — 1.4301/304 stainless steel sheet

DAOS-A-... — aluminium sheet

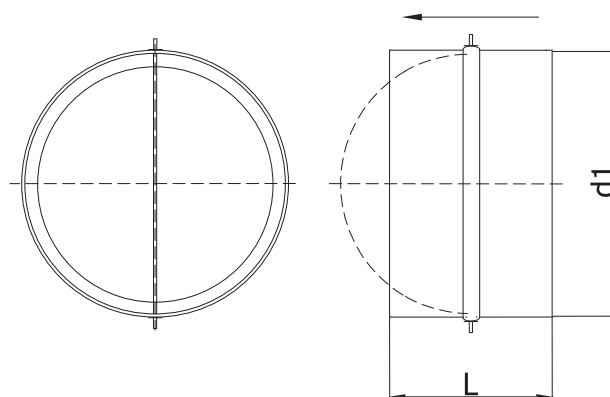
Product code example

Product code: **DAOS - aaa**

type _____

Ød₁ _____

Dimensions



Ød _{1 nom} (mm)	L (mm)	Weight (kg)
80	80	0.09
100	80	0.11
125	80	0.15
140	80	0.17
150	80	0.18
160	80	0.20
180	80	0.22
200	80	0.25
224	80	0.28
250	80	0.35
280	80	0.40
300	80	0.45
315	80	0.50
355	100	0.65
400	100	0.75
450	100	0.85
500	100	0.95

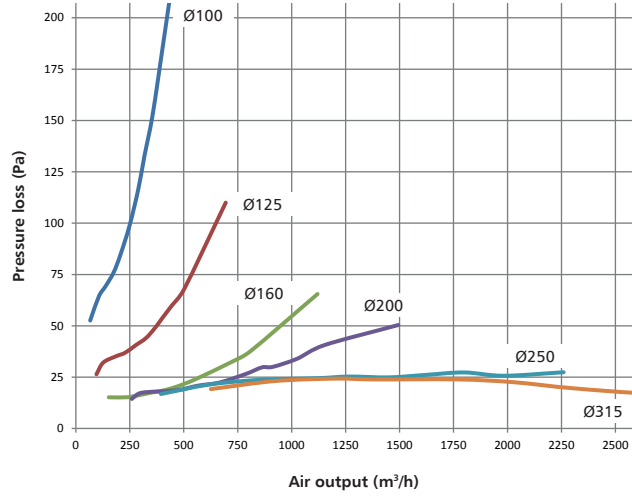
Diameter sizes up to Ød 560 mm are available on request.

Round non-return damper

DAOS

Technical specifications

Pressure loss chart for DAOS



Pressure loss chart for DAOS-K

