

IZOL[®]system pre-insulated bends **BSLI-90**



Description

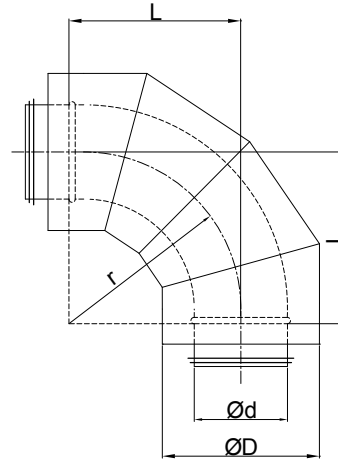
All BSLI pre-insulated bends consist of an inner duct bend with an EPDM gasket and an outer duct bend without gaskets.

Product code example

Product code: **BSLI - 25 - 200 - 90**

type _____
 Insulation _____
 Ød _____
 angle _____

Dimensions



25 mm insulation					
Ød (mm)	ØD (mm)	Weight (kg/m)	Ød (mm)	ØD (mm)	Weight (kg/m)
100	150	1.5	250	300	6.0
125	180	2.1	280	315	7.6
140	200	2.6	300	355	9.3
150	200	2.7	315	355	10.4
160	224	2.9	355	400	12.7
180	224	3.0	400	450	15.7
200	250	4.0	450	500	23.2
224	280	4.8	500	560	24.0

50 mm insulation					
Ød (mm)	ØD (mm)	Weight (kg/m)	Ød (mm)	ØD (mm)	Weight (kg/m)
100	200	2.4	250	355	9.3
125	224	3.1	280	400	12.1
140	250	4.1	300	400	12.3
150	250	4.2	315	400	13.6
160	250	5.0	355	450	16.9
180	280	5.2	400	500	20.5
200	300	5.9	450	560	25.1
224	315	7.4	500	600	35.9

100 mm insulation					
Ød (mm)	ØD (mm)	Weight (kg/m)	Ød (mm)	ØD (mm)	Weight (kg/m)
100	300	3.2	250	450	14.5
125	315	3.9	280	500	16.3
140	355	5.2	300	500	16.5
150	355	5.4	315	500	17.6
160	355	6.1	355	560	19.5
180	400	6.4	400	600	29.5
200	400	7.5	450	630	32.2
224	450	9.6	500	710	45.1