

IZOL[®] system pre-insulated bends **BSLI-60**



Description

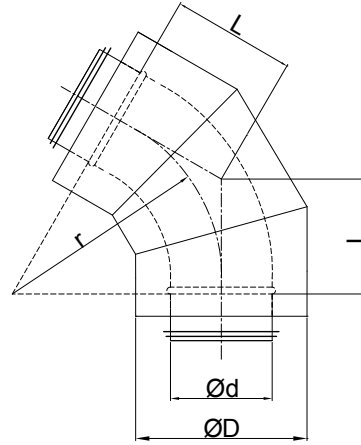
All BSLI pre-insulated bends consist of an inner duct bend with an EPDM gasket and an outer duct bend without gaskets.

Product code example

Product code: **BSLI - 25 - 200 - 60**

| | | | |
|------------|-------|-------|-------|
| type | _____ | _____ | _____ |
| Insulation | _____ | _____ | _____ |
| Ød | _____ | _____ | _____ |
| angle | _____ | _____ | _____ |

Dimensions



| 25 mm insulation | | | | | |
|------------------|---------|---------------|---------|---------|---------------|
| Ød (mm) | ØD (mm) | Weight (kg/m) | Ød (mm) | ØD (mm) | Weight (kg/m) |
| 100 | 150 | 1.1 | 250 | 300 | 4.5 |
| 125 | 180 | 1.6 | 280 | 315 | 5.5 |
| 140 | 200 | 1.8 | 300 | 355 | 6.7 |
| 150 | 200 | 1.9 | 315 | 355 | 7.5 |
| 160 | 224 | 2.1 | 355 | 400 | 9.8 |
| 180 | 224 | 2.3 | 400 | 450 | 12.1 |
| 200 | 250 | 2.7 | 450 | 500 | 14.3 |
| 224 | 280 | 4.0 | 500 | 560 | 17.6 |

| 50 mm insulation | | | | | |
|------------------|---------|---------------|---------|---------|---------------|
| Ød (mm) | ØD (mm) | Weight (kg/m) | Ød (mm) | ØD (mm) | Weight (kg/m) |
| 100 | 200 | 1.8 | 250 | 355 | 6.7 |
| 125 | 224 | 2.2 | 280 | 400 | 8.8 |
| 140 | 250 | 3.0 | 300 | 400 | 9.0 |
| 150 | 250 | 3.1 | 315 | 400 | 10.0 |
| 160 | 250 | 3.6 | 355 | 450 | 12.2 |
| 180 | 280 | 3.8 | 400 | 500 | 14.8 |
| 200 | 300 | 4.3 | 450 | 560 | 18.0 |
| 224 | 315 | 5.4 | 500 | 600 | 25.5 |

| 100 mm insulation | | | | | |
|-------------------|---------|---------------|---------|---------|---------------|
| Ød (mm) | ØD (mm) | Weight (kg/m) | Ød (mm) | ØD (mm) | Weight (kg/m) |
| 100 | 300 | 2.6 | 250 | 450 | 9.1 |
| 125 | 315 | 2.8 | 280 | 500 | 11.5 |
| 140 | 355 | 3.9 | 300 | 500 | 12.6 |
| 150 | 355 | 4.3 | 315 | 500 | 16.5 |
| 160 | 355 | 4.6 | 355 | 560 | 17.5 |
| 180 | 400 | 5.1 | 400 | 600 | 18.6 |
| 200 | 400 | 5.3 | 450 | 630 | 24.5 |
| 224 | 450 | 7.5 | 500 | 710 | 36.6 |