

# IZOL® system pre-insulated bends

## BSLI-45



### Description

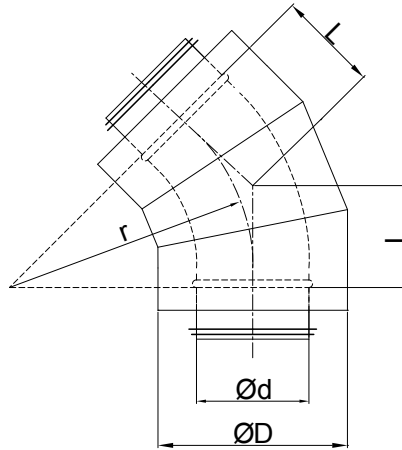
All BSLI pre-insulated bends consist of an inner duct bend with an EPDM gasket and an outer duct bend without gaskets.

#### Product code example

Product code: **BSLI - 25 - 200 - 45**

type	_____	_____	_____
Insulation	_____	_____	_____
Ød	_____	_____	_____
angle	_____	_____	_____

### Dimensions



25 mm insulation					
Ød (mm)	ØD (mm)	Weight (kg/m)	Ød (mm)	ØD (mm)	Weight (kg/m)
100	150	1.0	250	300	3.7
125	180	1.3	280	315	4.6
140	200	1.6	300	355	5.6
150	200	1.7	315	355	6.2
160	224	1.9	355	400	8.1
180	224	2.0	400	450	10.0
200	250	2.4	450	500	11.6
224	280	3.3	500	560	14.4

50 mm insulation					
Ød (mm)	ØD (mm)	Weight (kg/m)	Ød (mm)	ØD (mm)	Weight (kg/m)
100	200	1.5	250	355	5.6
125	224	1.8	280	400	7.3
140	250	2.5	300	400	7.5
150	250	2.6	315	400	8.3
160	250	3.1	355	450	10.1
180	280	3.2	400	500	12.1
200	300	3.6	450	560	14.7
224	315	4.5	500	600	20.6

100 mm insulation					
Ød (mm)	ØD (mm)	Weight (kg/m)	Ød (mm)	ØD (mm)	Weight (kg/m)
100	300	1.9	250	450	9.5
125	315	2.3	280	500	11.5
140	355	3.4	300	500	11.9
150	355	3.9	315	500	12.6
160	355	4.5	355	560	13.5
180	400	4.7	400	600	16.4
200	400	5.4	450	630	17.5
224	450	6.9	500	710	29.5