

IZOL[®] system pre-insulated bends

BSLI-30



Description

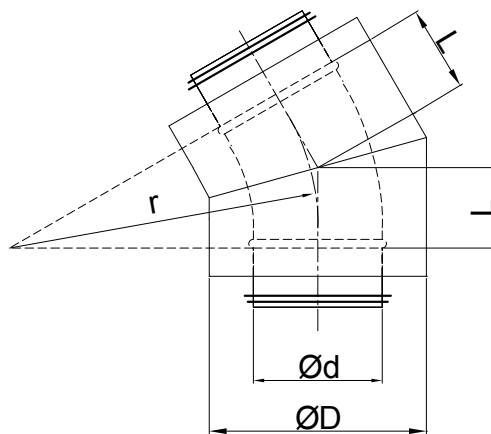
All BSLI pre-insulated bends consist of an inner duct bend with an EPDM gasket and an outer duct bend without gaskets.

Product code example

Product code: **BSLI - 25 - 200 - 30**

type	_____
Insulation	_____
Ød	_____
angle	_____

Dimensions



25 mm insulation					
Ød (mm)	ØD (mm)	Weight (kg/m)	Ød (mm)	ØD (mm)	Weight (kg/m)
100	150	0.8	250	300	2.8
125	180	1.0	280	315	3.5
140	200	1.2	300	355	4.1
150	200	1.3	315	355	4.7
160	224	1.3	355	400	6.1
180	224	1.5	400	450	7.6
200	250	1.8	450	500	8.5
224	280	2.5	500	560	10.7

50 mm insulation					
Ød (mm)	ØD (mm)	Weight (kg/m)	Ød (mm)	ØD (mm)	Weight (kg/m)
100	200	1.1	250	355	4.2
125	224	1.4	280	400	5.5
140	250	2.0	300	400	5.7
150	250	2.1	315	400	6.3
160	250	2.3	355	450	6.7
180	280	2.4	400	500	9.1
200	300	2.7	450	560	10.9
224	315	3.4	500	600	15.2

100 mm insulation					
Ød (mm)	ØD (mm)	Weight (kg/m)	Ød (mm)	ØD (mm)	Weight (kg/m)
100	300	1.5	250	450	6.5
125	315	1.9	280	500	7.5
140	355	2.9	300	500	7.8
150	355	2.9	315	500	9.5
160	355	3.8	355	560	12.6
180	400	3.9	400	600	14.5
200	400	4.1	450	630	15.6
224	450	4.6	500	710	21.5