

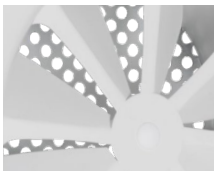
Swirl diffuser

GCR



Description

GCR swirl diffuser is equipped with fixed blades bent at a constant angle. It is made of galvanized steel sheet, powder coated in RAL9010. Swirl diffusers ensure mixing of the fresh air stream with the room air, which is recommended for supplying cold air. They provide a stable flow of the stream and are intended for rooms up to 4m high, for example in public facilities such as hotels, restaurants, office buildings.



The perforated plate leads to rapid air flow velocity decrease at low noise levels.

Versions:

- GCR-N-... - without a gasket
- GCR-F-... - without a gasket, female connector
- GCR-NP-... - without a gasket, with perforation
- GCR-FP-... - without a gasket, female connector, with perforation
- GCR-L-... - with gasket
- GCR-LP-... - with gasket and with perforation

Available materials - Product code examples

GCR-...-...- galvanized steel sheet, powder painted RAL9010

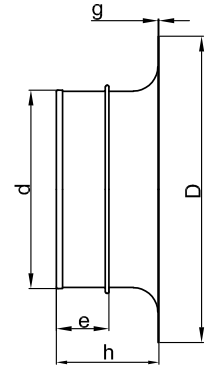
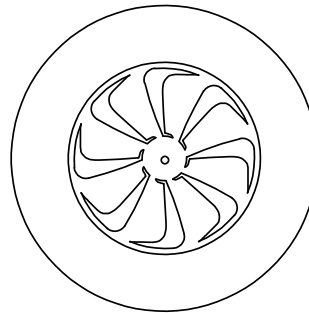
Product code example

Product code: **GCR-N - aaa**

type _____
 Ød _____

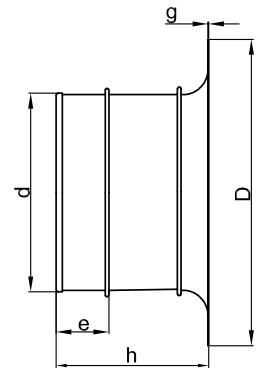
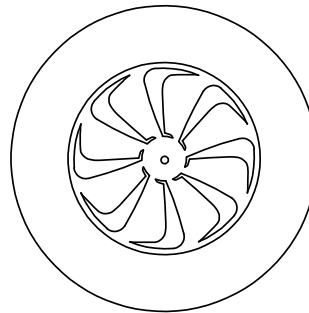
Dimensions

GCR-N / GCR-F



Code	Ød [mm]	ØD [mm]	h [mm]	g [mm]
GCR-N-125	125	200	80	0.8
GCR-N-160	160	250	80	0.8
GCR-N-200	200	300	80	0.8
GCR-N-250	250	350	80	0.8
GCR-N-315	315	450	80	0.8
GCR-N-400	400	570	110	0.8

GCR-NP / GCR-FP / GCR-L / GCR-LP



Code	Ød [mm]	ØD [mm]	h [mm]	g [mm]
GCR-FP-125	125	200	160	0.8
GCR-FP-160	160	250	160	0.8
GCR-FP-200	200	300	160	0.8
GCR-FP-250	250	350	160	0.8
GCR-FP-315	315	450	160	0.8
GCR-FP-400	400	570	230	0.8

Attention: In Ø400 diffusers there's a special folding at the connection edge for better stiffness.

Swirl diffuser

GCR

Technical specifications

