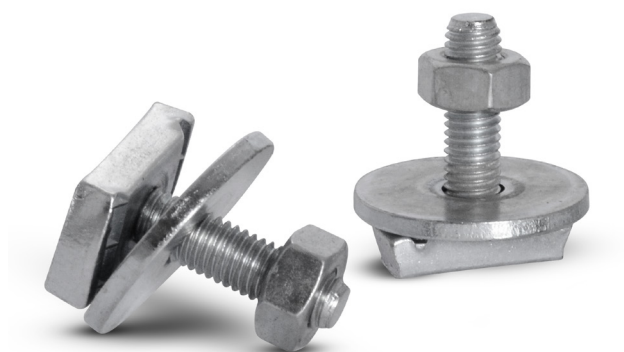


## Channel fixing kit

# SNP-0806-SR-NK/SNP-1008-SR-NK



## Description

SNP channel nuts with large 40 mm washers are designed for fastening suspension rings to LDBST Strut channels or for installation in roof feet for fastening machinery, e.g. split A/C outdoor units.

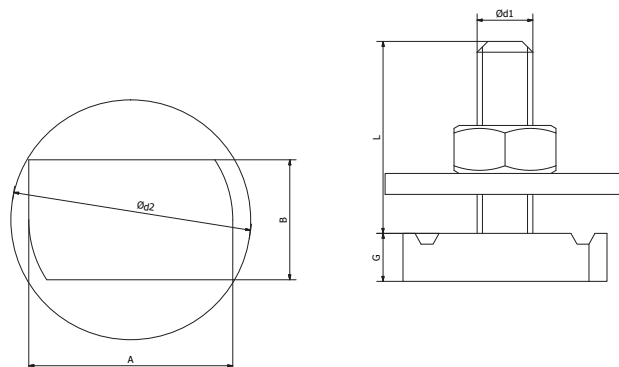
**Available materials — Product code example**  
SNP-... — galvanized steel sheet

### Product code example

Product code: **SNP-0806-SR-NK**

type \_\_\_\_\_

## Dimensions



Product code	Bolt [mm]	Ød <sub>2</sub> [mm]	Ød <sub>1</sub> [mm]	A [mm]	B [mm]	G [mm]	L [mm]
SNP-0806-SR-NK	M8	40	8	20	34	6	36
SNP-1008-SR-NK	M10	40	10	20	34	8	34

Product code	Tightening torque [Nm]
SNP-0806-SR-NK	20.6
SNP-1008-SR-NK	35.7

## Installation method

