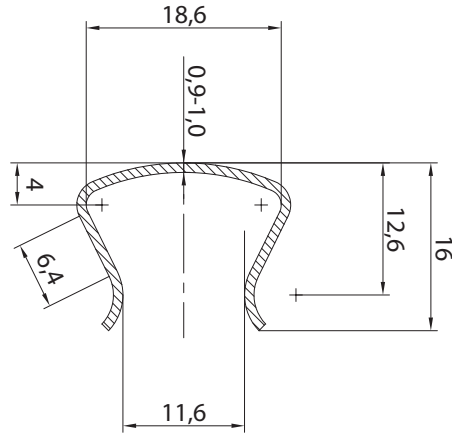


Slide channel for fastening rectangular duct flange frames

PWQ-R



Dimensions



Description

PWQ-R slide channels can be used for fastening rectangular ducts together. A slide channel of a desired length is slid over PQ-20 or PQ-30 flange frame angle sections which are connected with each other. The slide channel is most often used when the ducts have to be completely mated along their entire flange frame length and when the clearance over a ducts is too small to access and tighten KLQ G-clamps. The upturned bottom edges help slide the channel over the PQ flange frames and drive them to stop from the sides.

Length of sections: 2.5 m and 5 m.

Available materials — Product code example
 PWQ-R-... — galvanized steel sheet
 PWQ-R-K-... — 1.4301/304 stainless steel sheet
 PWQ-R-K-...-316L — 1.4404/316L stainless steel sheet

Product code example
 Product code: **PWQ-R**
 type _____

Installation method

1. Slide the channel over the duct.



2. Push the slide channel gently to stop.



3. Use a low-profile tool to access low-clearance



4. The mated surfaces are sealed and look neat.

