

Flat corner bracket for Strut channel

LDB-PTRA-45-41-4



Description

Corner brackets are the best solution for fabrication and reinforcement of flat joints between LDBST strut channel. The fittings allows adding two perpendicular strut channel, each at 45 degrees, to the main channel.

This product can be used outdoors with a hot-dip galvanized finish.

Available materials - Product code example

- LDB-PTRA-45-41-4 - galvanized steel sheet
- LDB-PTRA-45-41-4-Z275 - Z275 galvanized steel sheet
- LDB-PTRA-45-41-4-Z600 - hot-dip galvanized steel sheet
- LDB-PTRA-45-41-4-K - 1.4301/304 stainless steel sheet
- LDB-PTRA-45-41-4-K-316L - 1.4404/316L stainless steel sheet, molybdenum-enriched
- LDB-PTRA-45-41-4-A - AW-1050A H24 aluminium sheet

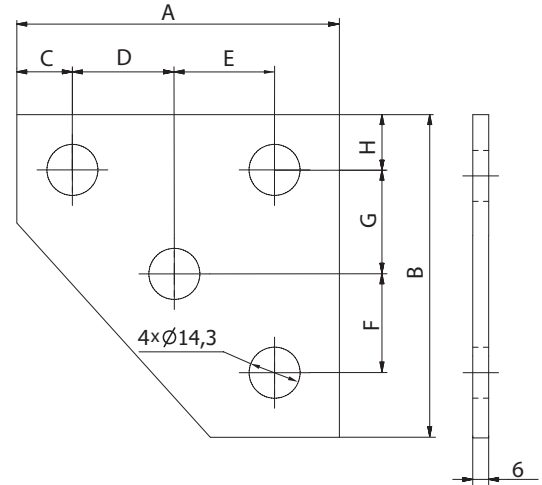
Product code example

Product code: **LDB-PTRA-45-41-4**

type _____

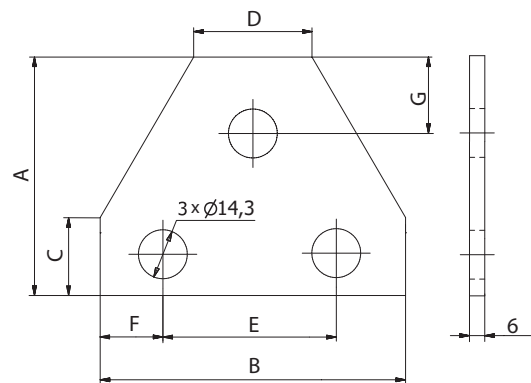
Dimensions

LDB-PTRA-45-41-4



A [mm]	B [mm]	C [mm]	D [mm]	E [mm]	F [mm]	G [mm]
115	115	21	32	41	32	41

LDB-PTRA-90-41-3



A [mm]	B [mm]	C [mm]	D [mm]	E [mm]	F [mm]	G [mm]
90	90	45	41	47	21	11

Installation method

