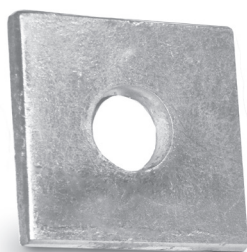


Flat square fitting for LDBST channel

LDB-P-41-1



Description

This flat fitting is intended for building and reinforcing joints made of Strut channels. The usual fastener is a PG threaded rod with NKS nuts, as used in drop-down suspension systems. The fitting can be used for suspending ventilation systems or in other construction projects.

This product can be used outdoors with a hot-dip galvanized finish.

Available materials - Product code example

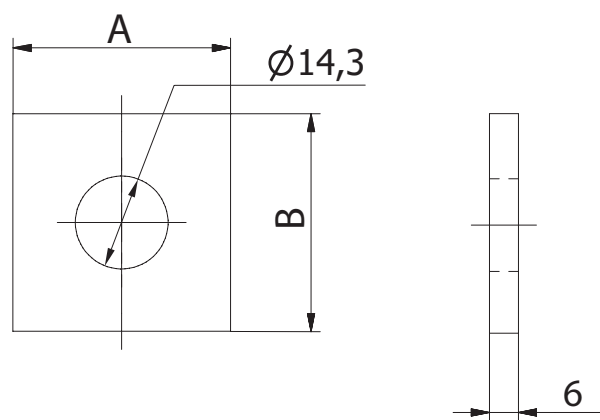
- LDB-P-41-1 - galvanized steel sheet
- LDB-P-41-1-Z275 - Z275 galvanized steel sheet
- LDB-P-41-1-Z600 - hot-dip galvanized steel sheet
- LDB-P-41-1-K - 1.4301/304 stainless steel sheet
- LDB-P-41-1-K-316L - 1.4404/316L stainless steel sheet, molybdenum-enriched
- LDB-P-41-1-A - AW-1050A H24 aluminium sheet

Product code example

Product code: **LDB-P-41-1**

type _____

Dimensions



Product code	A [mm]	B [mm]
LDB-P-41-1	40	40

Installation method

