

## Heavy-duty external coupler

# LDB-EXT-U



### Description

LDB-EXT-U channel external couplers wrap the joint made of two Strut channels sized 41 or 21. Aside from the 4 holes for bolting STRUT channels from the top, the side walls of the channel tie bolster the joint to prevent torsion.

This product can be used outdoors with a hot-dip galvanized finish.

#### Available materials - Product code example

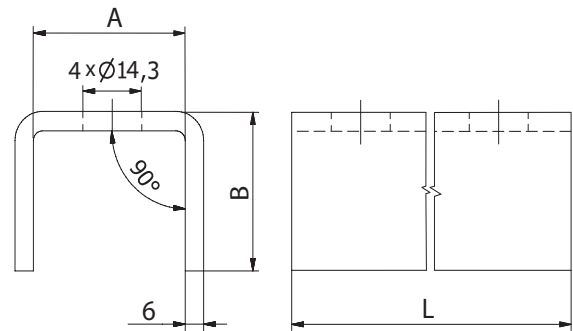
- LDB-EXT-U-21-4 - galvanized steel sheet
- LDB-EXT-U-21-4-Z275 - Z275 galvanized steel sheet
- LDB-EXT-U-21-4-Z600 - hot-dip galvanized steel sheet
- LDB-EXT-U-21-4-K - 1.4301/304 stainless steel sheet
- LDB-EXT-U-21-4-K-316L - 1.4404/316L stainless steel sheet, molybdenum-enriched
- LDB-EXT-U-21-4-A - AW-1050A H24 aluminium sheet

#### Product code example

Product code: **LDB-EXT-U-21-4**

type \_\_\_\_\_

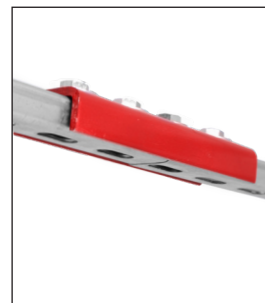
### Dimensions



Product code	A [mm]	B [mm]	L [mm]
LDB-EXT-U-21-4	43	27	184
LDB-EXT-U-41-4	43	47	184

### Installation method

LDB-EXT-U-21-4



LDB-EXT-U-41-4

