

Angle bracket for LDB fixing rail

LDB-BTRA



Description

The LDB-BTRA angle bracket is used for one-point fastening of cross-oriented fixing rails. The two holes on the horizontal leg help fastening without the need for an additional strut. The piece helps installing HVAC components and other objects having relatively low weight.

This product can be used outdoors with a hot-dip galvanized finish.

Available materials - Product code example

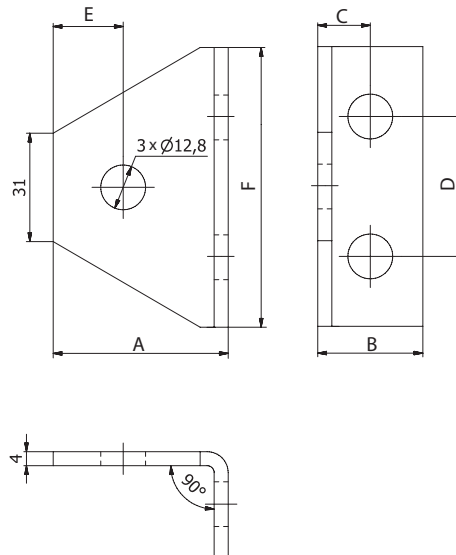
- LDB-BTRA-30-3 - galvanized steel sheet
- LDB-BTRA-30-3-Z275 - Z275 galvanized steel sheet
- LDB-BTRA-30-3-Z600 - hot-dip galvanized steel sheet
- LDB-BTRA-30-3-K - 1.4301/304 stainless steel sheet
- LDB-BTRA-30-3-K-316L - 1.4404/316L stainless steel sheet, molybdenum-enriched
- LDB-BTRA-30-3-A - AW-1050A H24 aluminium sheet

Product code example

Product code: **LDB-BTRA-30-3**

type _____

Dimensions



Product code	A [mm]	B [mm]	C [mm]	D [mm]	E [mm]	F [mm]
LDB-BTRA-30-3	50	30	15	40	20	80

Installation method

