

Channel angle bracket

LDB-BTRA-41-3



Description

Channel angle brackets are one-point fasteners for cross-oriented channels. The two holes on the horizontal leg help fastening without the need for an additional strut. The piece helps installing HVAC components and other objects having relatively low weight.

This product can be used outdoors with a hot-dip galvanized finish.

Available materials - Product code example

- LDB-BTRA-41-3 - galvanized steel sheet
- LDB-BTRA-41-3-Z275 - Z275 galvanized steel sheet
- LDB-BTRA-41-3-Z600 - hot-dip galvanized steel sheet
- LDB-BTRA-41-3-K - 1.4301/304 stainless steel sheet
- LDB-BTRA-41-3-K-316L - 1.4404/316L stainless steel sheet, molybdenum-enriched
- LDB-BTRA-41-3-A - AW-1050A H24 aluminium sheet

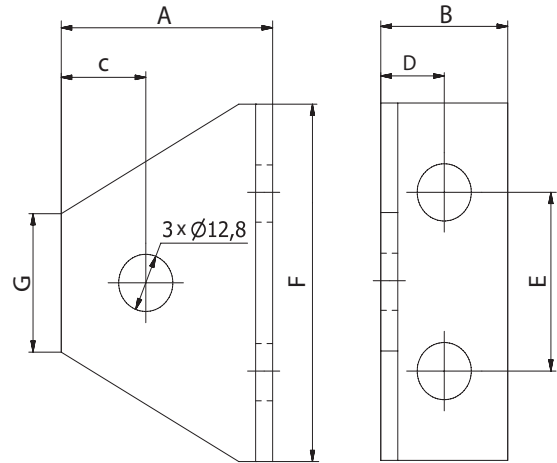
Product code example

Product code: **LDB-BTRA-41-3**

type _____

Dimensions

LDB-BTRA-41-3



A	B	C	D	E	F	G
[mm]	[mm]	[mm]	[mm]	[mm]	[mm]	[mm]
56	41	20	20,5	40	80	41

Installation method

