

Channel angle bracket **LDB-BE-41**



Description

L-type angle brackets are available in three versions which vary in the layout of openings. LDB-BE-41-2-2 units feature 2 × 2 holes on both legs to bolt LDBST channel at 90 degrees and under a similar load on both legs. Type LDB-BE-41-1-3 is used for joining one channel to another at the side with the holes in a T-shaped arrangement. Type LDB-BE-41-2-1 is used for joining a vertical channels with two more channels to form a T-shaped arrangement.

This product can be used outdoors with a hot-dip galvanized finish.

Available materials - Product code example

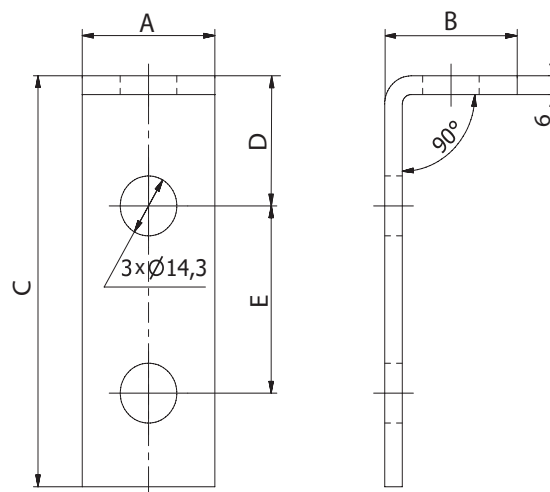
- LDB-BE-41-2-1 - galvanized steel sheet
- LDB-BE-41-2-1-Z275 - Z275 galvanized steel sheet
- LDB-BE-41-2-1-Z600 - hot-dip galvanized steel sheet
- LDB-BE-41-2-1-K - 1.4301/304 stainless steel sheet
- LDB-BE-41-2-1-K-316L - 1.4404/316L stainless steel sheet, molybdenum-enriched
- LDB-BE-41-2-1-A - AW-1050A H24 aluminium sheet

Product code example

Product code: **LDB-BE-41-2-1**

type _____

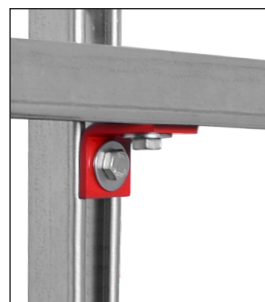
Dimensions



Product code	A [mm]	B [mm]	C [mm]	D [mm]	E [mm]	Number of holes	
						vertical leg	horizontal leg
LDB-BE-41-1-1	40	50	47	20.5	–	1	1
LDB-BE-41-1-1-R	40	56	41	20.5	–	1	1
LDB-BE-41-1-2	40	40	103	36	48	1	2
LDB-BE-41-2-1	40	56	89	20.5	48	2	1
LDB-BE-41-2-2	40	85	102	33.5	42	2	2
LDB-BE-41-1-3	40	55	131	28.5	41	1	3

Installation method

LDB-BE-41-1-1-R



LDB-BE-41-2-1



LDB-BE-41-1-3



LDB-BE-41-2-2

