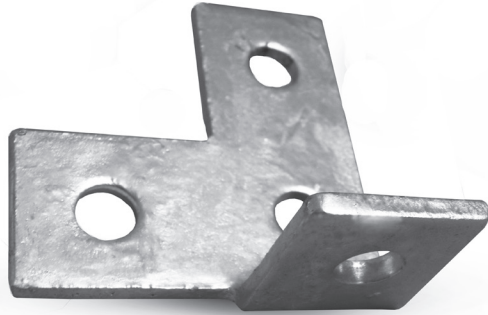


Three-leg angle bracket

LDB-AN-TL-41-4



Description

LDB-AN-TL, LDB-AN-TR and LDB-AN-T three-leg c angle brackets are used for building joints between Strut channels in several directions. This solution helps to save the installation time and space, while providing a neat finish and a convenient method for setting up complex strut channel joints. This product can be used outdoors with a hot-dip galvanized finish.

Available materials - Product code example

- LDB-AN-TL-41-4 - galvanized steel sheet
- LDB-AN-TL-41-4-Z275 - Z275 galvanized steel sheet
- LDB-AN-TL-41-4-Z600 - hot-dip galvanized steel sheet
- LDB-AN-TL-41-4-K - 1.4301/304 stainless steel sheet
- LDB-AN-TL-41-4-K-316L - 1.4404/316L stainless steel sheet, molybdenum-enriched
- LDB-AN-TL-41-4-A - AW-1050A H24 aluminium sheet

Product code example

Product code: **LDB-AN-TL-41-4**

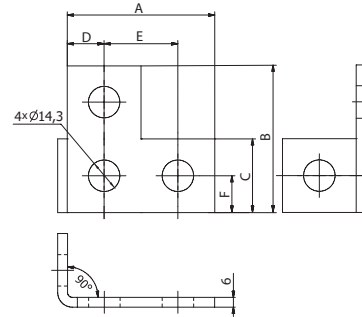
type _____

Installation method



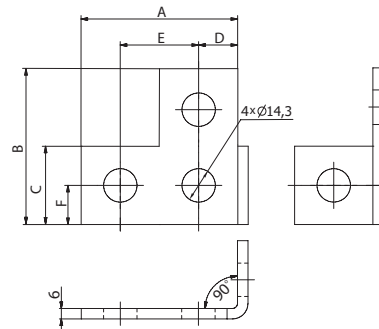
Dimensions

LDB-AN-TL-41-4



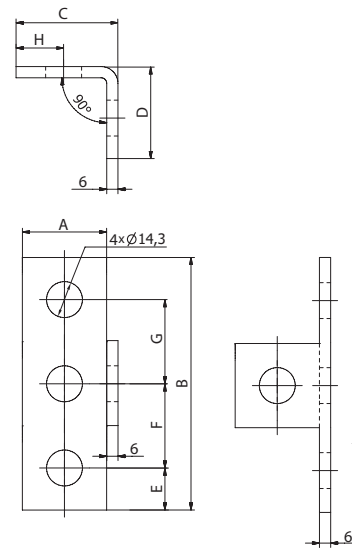
A [mm]	B [mm]	C [mm]	D [mm]	E [mm]	F [mm]
89	89	40	20	48	20

LDB-AN-TR-41-4



A [mm]	B [mm]	C [mm]	D [mm]	E [mm]	F [mm]
89	89	40	20	48	20

LDB-AN-T-41-4



A [mm]	B [mm]	C [mm]	D [mm]	E [mm]	F [mm]	G [mm]
40	135	50	47	21	47	47