

Metal air exhaust valve

KWV-RM



Description

KWV air exhaust valves can be installed in the ceiling, on the wall or directly in the mouth of a ventilation duct using a dedicated RM mounting frame. They allow smooth adjustment of the air exhaust flow rate by rotating the disk closure in the centre. The air flow rate depends on the opening ratio, i.e. the distance between the disk closure distance and the round bezel, and it is set with a locknut. The carefully designed geometry of the valve guarantees low noise level as well as quick and easy installation.

Available materials — Product code examples

KWV-RM-... - steel sheet, powder-coated finish
high-gloss RAL 9016

Product code example

Product code: **KWV-RM - aaa**

type _____
Ød _____

Technical specifications

The following performance parameters:

volumetric flow rate, q (l/s or m^3/h), total pressure drop, P_t (Pa), and sound pressure level, L_A (dB(A)), can be read from the chart.

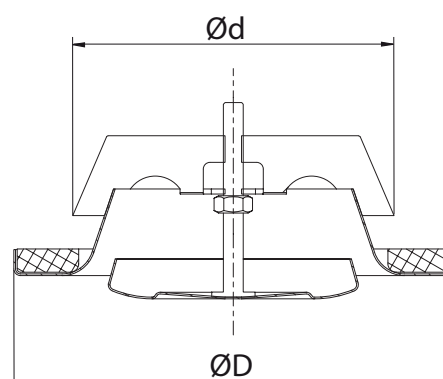
Pressure drop, P_t

The charts show the total pressure drop, P_t (Pa).

Sound pressure level, L_A

The charts show the sound pressure level, L_A (dB(A)). The noise level is shown for the sound insulation level at 4 dB indoors, which corresponds to sound insulation performance in the reverberation zone at the room absorption level for 10 m^2 according to SABINE's formula.

Dimensions



$\varnothing D_{nom}$ (mm)	$\varnothing A$ (mm)	Weight (kg)
80	111	0.2
100	131	0.3
125	161	0.4
160	204	0.5
200	244	0.8

Sound pressure level, L_A (dB(A))

Dimensions (mm)	Mean frequency (Hz)						
	125	250	500	1000	2000	4000	8000
80	-2	-6	-5	1	-1	-5	-14
100	-2	-4	-3	0	-1	-8	-16
125	4	3	1	-1	-3	-12	-22
160	-1	0	1	0	-4	-13	-26
200	0	-5	1	2	-13	-28	-32
tolerance	3	2	2	2	2	2	3

Sound insulation level (dB)

Dimensions (mm)	Mean frequency (Hz)							
	63	125	250	500	1000	2000	4000	8000
80	24	18	14	9	7	7	7	9
100	22	16	11	7	5	5	5	7
125	21	14	9	7	4	4	6	8
160	14	13	8	5	4	4	7	7
200	17	10	6	4	3	4	8	4
tolerance	6	3	2	2	2	2	2	3

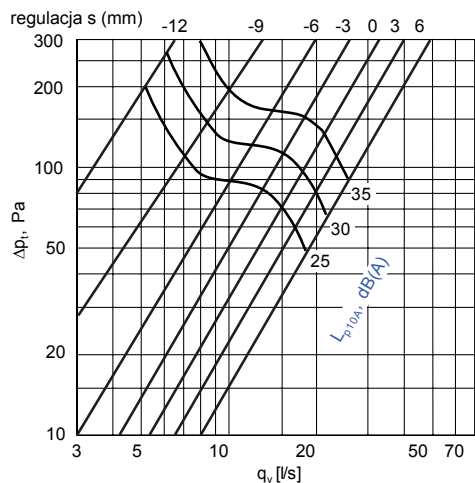
Metal air exhaust valve

KWV-RM

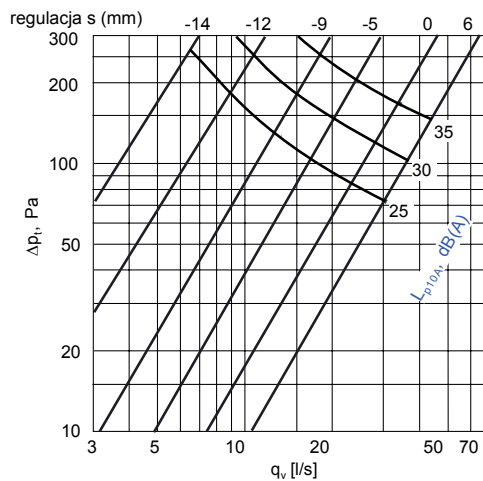
Technical specifications

Selection charts

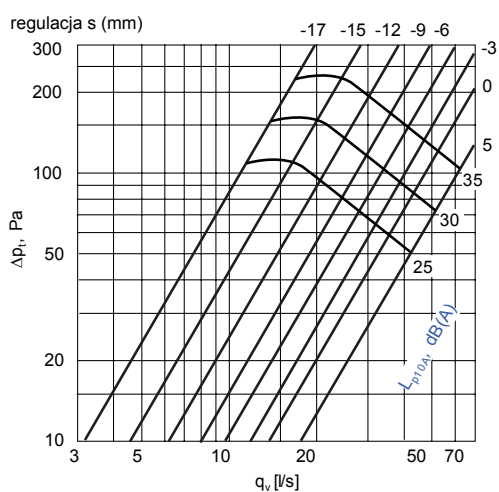
KWV-80



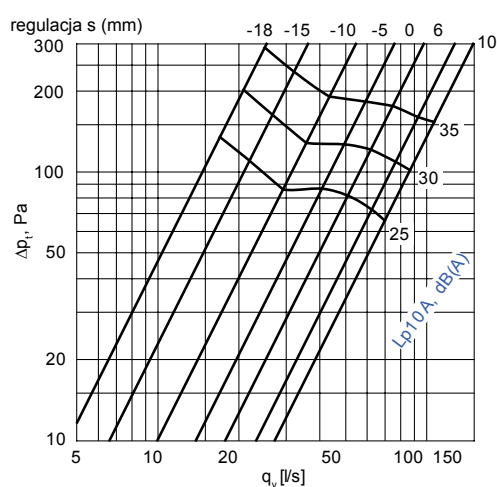
KWV-100



KWV-125



KWV-160



KWV-200

