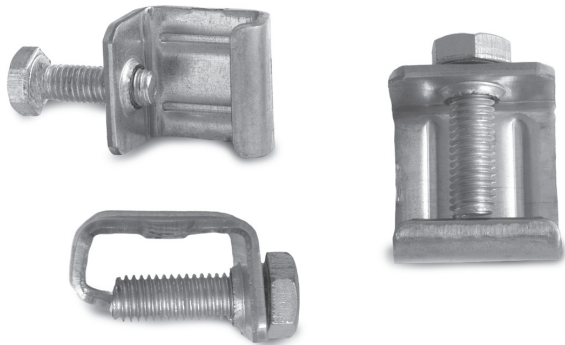


# G-clamps for rectangular duct flange frames

## KLQ



### Description

KLQ G-clamps are designed for fastening rectangular ventilation ducts. It is versatile enough to allow mounting the PQ20, PQ30 and PQ40 flange frames on rectangular duct sides over 500 mm in length. The longer, optional 25 mm screw enables using KLQ G-clamps for fastening rectangular ventilation ducts to fire dampers and DSQW-A aluminium ventilation dampers.

The minimum set screw length is 17 mm.

#### Available materials — Product code example

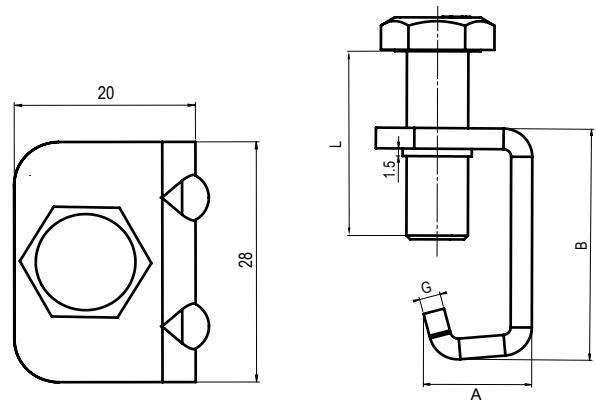
- KLQ-20 — galvanized steel sheet
- KLQ-K-20 — 1.4301/304 stainless steel sheet
- KLQ-K-20-316L — 1.4404/316L stainless steel sheet, molybdenum-enriched

#### Product code example

Product code: **KLQ-20**

type \_\_\_\_\_

### Dimensions



Product code	Set screw [mm]	L [mm]	G [mm]	A [mm]	B [mm]
KLQ-20	M8	25	3.0	14	31
KLQ-20-2,5	M8	25	2.5	13	30



The additional 1.5mm of thread prevents the thread from breaking when the screw is tightened with a screwdriver. This ensures that the components are correctly connected,

### Fastening method

