

Secondary electric duct heater for heat recovery units

# HRQ-P-HDE



## Description

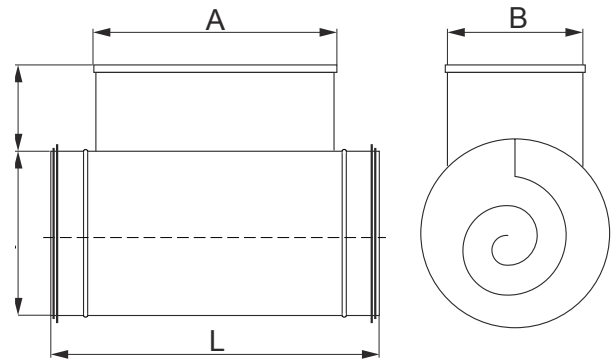
The HRQ-P-HDE circular secondary duct heater is designed for installation on the supply air duct in ventilation systems equipped with an Alnor series recuperator, in ducted version. The secondary heater has the function of reheating to improve the comfort temperature in the supply air premises. The heater should be installed in the supply air duct behind the recuperator at a distance of not less than 1m. It is possible to lead out the external air temperature sensor HRQ-SENS-5000, which should be installed in the supply air duct behind the heater. The heater casing is made of galvanised sheet metal, the heaters of stainless steel. The heaters are equipped with a double protection thermostat - the first one switches on when the temperature exceeds 60oC (automatic deactivation), the second one when the temperature exceeds 90oC (manual deactivation through a reset button), EPDM rubber gaskets on the connection nipples and a 2mb connection cable to the recuperator. Please refer to the instruction manual for detailed installation data.

### Available versions:

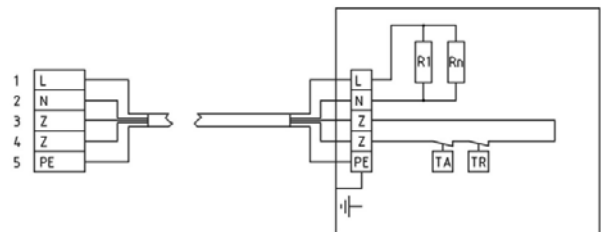
**HRQ-P-HDE-160-1,0** - heater with a diameter of Ø160 and a heating power of 1,0kW, powered and controlled directly from the recuperation unit

**HRQ-P-HDE-200-1,0** - heater with Ø200 diameter and 1,0kW heating power, supplied and controlled directly from the recuperation unit

## Dimensions



Type	Ød [mm]	A [mm]	B [mm]	H [mm]	L [mm]
HRQ-P-HDE-160	160	280	120	110	380
HRQ-P-HDE-200	200	300	160	110	400



L, N - single-phase power supply 230V, 50Hz  
 PE - protective conductor  
 R1, R2... Rn - heating elements  
 Z-Z - terminals of temperature limiter unit  
 TA - automatic thermal protection up to +60°C  
 TR - manual thermal protection up to +90°C