

## Round multi-blade damper

# DASQ/DASQL/DASQM/DASQML



### Description

The round multi-blade damper can be used to control and isolate air flow in round ductwork.

The round multi-blade damper design is based on the DSQW model. This model, however, features a housing with a branch at each end, sized to match the SPR ducts.

Operating temperature range:  $-20^{\circ}$  to  $+80^{\circ}$  C.

The DASQ / DASQL dampers are hand-operated. The DASQM / DASQML dampers are designed for use with actuators.

All dampers have the blade angle (and the opening ratio) controlled with a system of gears driven by a hand lever or an actuator.

The damper mechanism is installed on the outer surface of the housing.

The dampers meet air tightness class B.

#### Available materials — Product code examples

DASQL-... — galvanized steel sheet

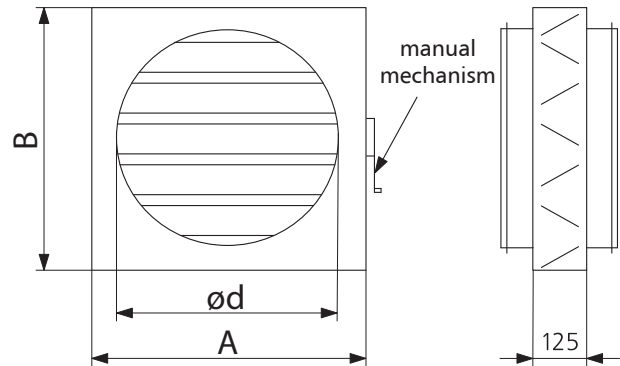
#### Product code example

Product code: **DASQL - 800**

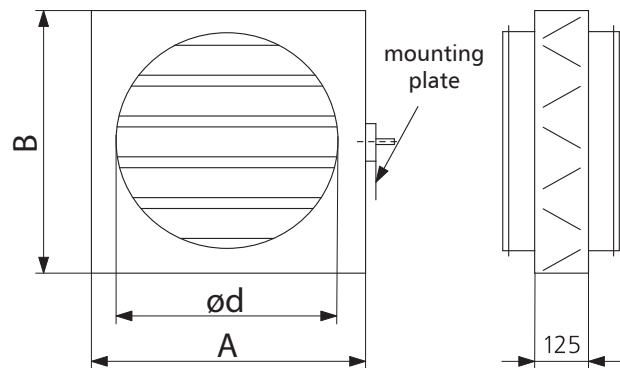
type \_\_\_\_\_  
 $\varnothing d$  \_\_\_\_\_

### Dimensions

#### DASQ, DASQL



#### DASQM, DASQML



$\varnothing d$ (mm)	A (mm)	B (mm)
400	505	505
450	505	505
500	605	605
560	605	605
630	705	705
710	805	805
800	905	905
900	1005	1005
1000	1105	1105
1120	1205	1205
1250	1305	1305