

Round damper for Lamella Mat cladding

DAS



Description

The DAS dampers are designed for cladding with up to 50 mm thick insulation.

The DAS damper is a good choice when the ductwork closure does not have to be fully airtight. The damper closure position can be read on the 0° to 90° dial of the control handle. The damper closure opening ratio can be fixed with a screw. The product has safe edges.

All the DAS dampers of diameter 355 mm or greater have the damper closure pivot provided with extra bracing.

All the DAS dampers of diameter 450 mm or greater are supplied with the KIT-DS-H damper mechanism control lever. Standard dampers are made from galvanized steel sheet.

Available materials — Product code examples

DAS-... — galvanized steel sheet

DAS-K-... — 1.4301/304 stainless steel sheet

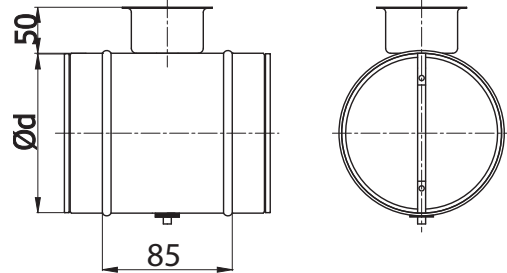
Product code example

Product code: **DAS - aaa**

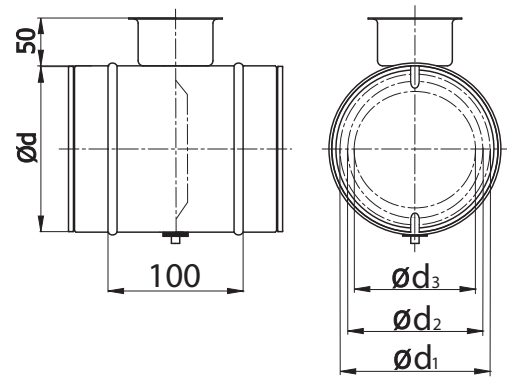
type _____
 $\varnothing d_1$ _____

Dimensions

For $d_1 < 355$, the damper closure pivot is mounted on two short rods.



For $d_1 \geq 355$, the damper closure pivot is mounted on a single long bar.



$\varnothing d_{nom}$ (mm)	$\varnothing d_{1 nom}$ (mm)	$\varnothing d_{2 nom}$ (mm)	$\varnothing d_{3 nom}$ (mm)	Weight (kg)
80*	—	—	—	0.40
100*	—	—	—	0.45
125*	—	—	—	0.55
140*	—	—	—	0.60
150*	—	—	—	0.65
160*	—	—	—	0.70
180*	—	—	—	0.75
200*	—	—	—	0.80
224*	—	—	—	0.90
250*	—	—	—	1.20
280*	—	—	—	1.40
300*	—	—	—	1.50
315*	—	—	—	1.60
355**	330	295	263	2.70
400**	330	295	263	3.30
450**	370	337	293	4.50
500**	370	337	293	5.00
560**	490	457	413	6.30
600**	490	457	413	6.70
630**	490	457	413	7.20

*with a press-formed damper closure

** with a damper closure & pivot bracing

If the damper diameter is to be greater than 630 mm, order the DASQ multi-blade damper.