

# Regulating dampers

## DAR-CV



### Description

The DAR-CV regulating damper has been designed for cladding with up to 50 mm thick insulation. The DAR-CV damper closure position can be read on the 0° to 90° dial of the control handle. Closing the damper closure allows 20% of the rated air flow to pass. The damper closure opening ratio can be fixed with a screw.

#### Available materials - Product code examples

DAR-CV-... - galvanized steel sheet

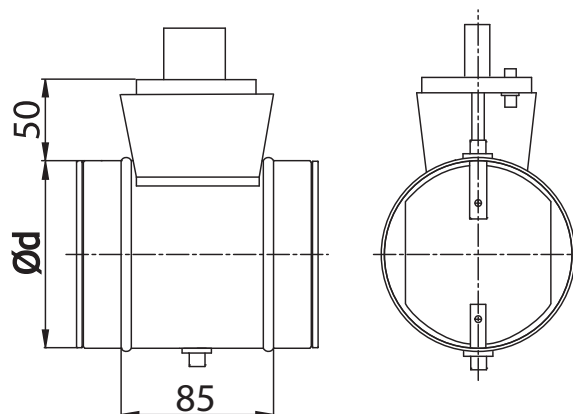
#### Product code example

Product code: **DAR-CV - aaa**

type \_\_\_\_\_

Ød \_\_\_\_\_

### Dimensions



Ød [mm]	Weight [kg]
80	0.40
100	0.46
125	0.55
140	0.60
150	0.65
160	0.70
180	0.75
200	0.80
224	0.90
250	1.10
280	1.30
300	1.45
315	1.50
355	2.00
400	2.60