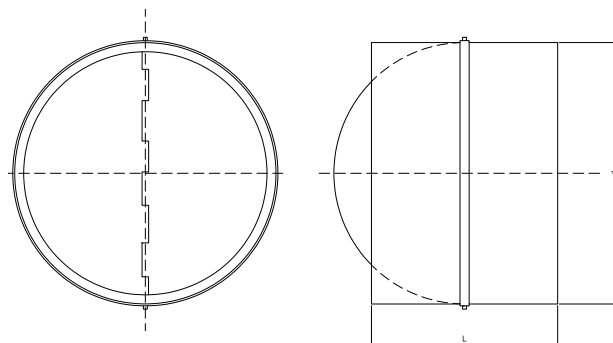


Reinforced backdraft damper

DAOSL-B / DAOS-B



Dimensions



Description

The DAOSL-B / DAOS-B ventilation damper is a new version of DAOS (L) backdraft dampers. In addition, it is reinforced with a reinforcing rods, making it possible to manufacture large diameters up to Ø630mm, while maintaining the rigidity of the construction and correct operation of the blades. The DAOSL-B damper with seals is used in installations that meet airtightness class D according to DIN EN 12237. The DAOS-B-FLS version with flanges is suitable for mounting on axial fans.

Available materials — Product code examples

- DAOS-B-... - galvanized steel sheet
- DAOSL-B-... - galvanized steel sheet, with seals

- DAOS-B-K-... - 1.4301/304 stainless steel sheet
- DAOSL-B-K-... - 1.4301/304 stainless steel sheet, with seals

- DAOS-B-A-... - aluminium sheet (stainless steel rod)
- DAOSL-B-A-... - aluminium sheet (stainless steel rod), with seals

- DAOSLI-B-... - galvanized steel sheet, insulated, with seals
- DAOS-B-FLS-... - galvanized steel sheet, with flanges

Product code example

Product code: **DAOSL-B - aaa**

type _____
 Ød _____

Ød (mm)	L (mm)
355	285
400	285
450	285
500	285
560	285
630	285