

One-piece suspension ring for spiral ducts

CLRU

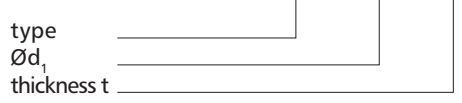


Description

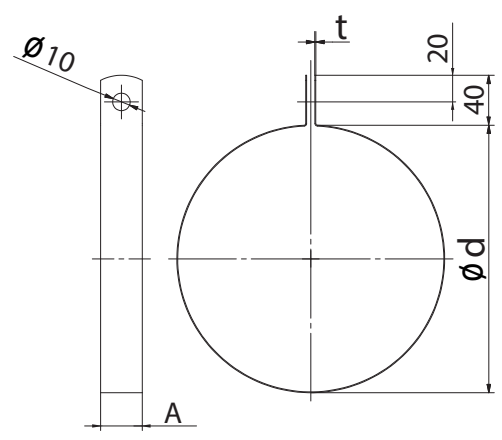
One-piece suspension rings are designed for installation of round spiral ducts and plain round ducts. The lugs at the top of the suspension ring top are tied together with a steel bolt and a matching nut. The suspension ring's form enhances the stiffness of the ductwork clamped within and provides an easy way of fastening the suspension ring to steel structures. Suspension rings are also an ideal solution for ducts insulated after their suspension, because they can be fully covered by aluminium foil-clad or rubber insulation.

Available materials - Product code example
 CLRU-...-... - galvanized steel sheet
 CLRU-K-...-... - 1.4301/304 stainless steel sheet
 CLRU-K-...-...-316L - 1.4404/316L stainless steel sheet, molybdenum-enriched

Product code example
 Product code: **CLRU - 160 - 120**



Dimensions



Ød [mm]	Thickness t = 2 mm	Thickness t = 1.2 mm
	A [mm]	A [mm]
80	25	25
100	25	25
112	25	25
125	25	25
132	25	25
140	25	25
150	25	25
157	25	25
160	25	25
180	25	25
192	25	25
200	25	25
224	25	25
232	25	25
250	25	25
280	25	25
300	25	25
315	25	25
355	25	25
400	25	25
450	25	25
500	25	25
560	25	25
600	25	25
630	25	25
710	25	25
800	25	25

When t=2.0, meets the requirements for type A duct suspensions according to DS 428.2019 - cross-sectional area 30 mm².