

# Smoke extraction segmented bend

## BSL-SMO-90



### Description

BSL-SMO segmented male bend, fire resistance class: E<sub>600</sub> 120 (h<sub>o</sub>) S1500 single, designed for single-compartment smoke extraction systems and combined (dual-function) systems. The bend with a standard radius  $rm=d1$  is equipped with GASK - double lip seals for ventilation fittings made of EPDM and a 1.8 mm thick and 10 mm wide intumescent seal. Welding points and other joints are covered with high-temperature sealant. SMOKE System fittings are available in diameters from 100 to 1000 mm.

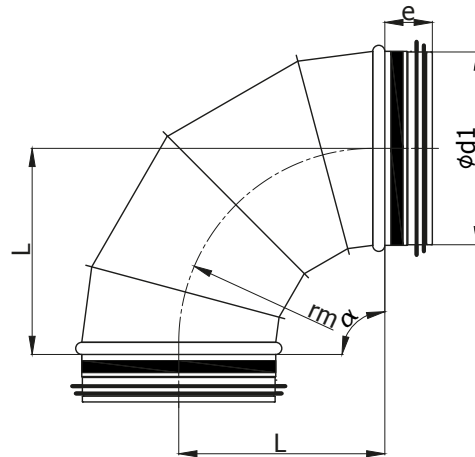
Order example: BSL-SMO-200-90

#### Product code example:

Product code: **BSL-SMO - aaa - bbb**

type \_\_\_\_\_  
 diameter  $\varnothing d_1$  \_\_\_\_\_  
 angle \_\_\_\_\_

### Dimensions



Diameter $\varnothing d_1$ [mm]	L [mm]	Weight [kg]
100	100	0.54
125	125	0.74
140	140	0.88
150	150	0.99
160	160	1.10
180	180	1.33
200	200	1.59
224	224	1.94
250	250	2.33
280	280	2.84
300	300	3.28
315	315	3.58
355	355	4.42
400	400	5.48
450	450	7.09
500	500	8.56
560	560	10.66
600	600	12.12
630	630	13.21
710	710	17.29
800	800	27.78
900	900	34.46
1000	1000	42.77

Smoke extraction segmented bend

# BSL-SMO-90

## Technical specification

