

Smoke extraction segmented bend

BSL-SMO-45



Description

BSL-SMO-45 segmented male bend, fire resistance class: E₆₀₀ 120 (h_o) S1500 single, designed for single-compartment smoke extraction systems and combined (dual-function) systems. The bend with a standard radius $r_m=d_1$ is equipped with GASK double lip seals for ventilation fittings made of EPDM and a 1.8 mm thick and 10 mm wide intumescent seal. Welding points and other joints are covered with high-temperature sealant. SMOKE System fittings are available in diameters from 100 to 1000 mm.

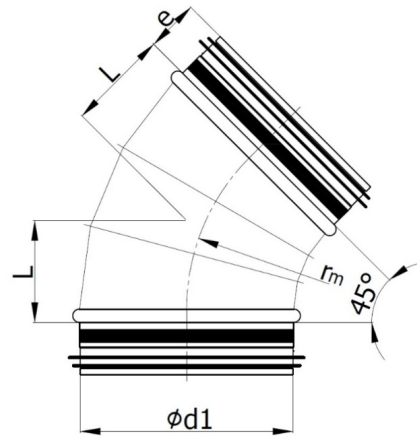
Order example: BSL-SMO-300-45

Product code example:

Product code: **BSL-SMO - aaa - bbb**

type _____
 diameter $\varnothing d_1$ _____
 angle _____

Dimensions



Diameter $\varnothing d_1$ [mm]	L [mm]	Weight [kg]
100	41	0.39
125	52	0.53
140	56	0.62
150	62	0.68
160	66	0.75
180	75	0.89
200	83	1.05
224	93	1.25
250	104	1.48
280	116	1.77
300	124	2.03
315	130	2.20
355	145	2.67
400	162	3.25
450	186	4.27
500	204	5.09
560	232	6.25
600	249	7.04
630	261	7.63
710	294	10.14
800	331	15.95
900	373	19.54
1000	414	24.21

Smoke extraction segmented bend

BSL-SMO-45

Technical data

