

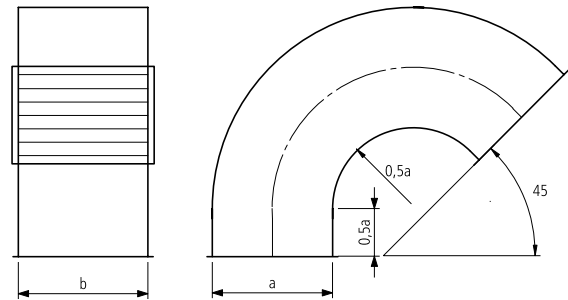
Air Intake and Exhaust Bend

BFQN-135

[Download Wentyle](#)
[Download AlnorCAM](#)
[Buy via B2B](#)



Dimensions



Description

The air intake and exhaust bend is used to terminate ventilation ducts. On its ends it has mounting frames with sheet metal joining profiles and is stiffened with transverse sheet corrugation.

The blades are installed on one side, with the mesh from inside.

Example identification

Product code: **BFQN-135** **500** **300**

type _____
a _____
b _____

Example identification:

BFQN-135-a-b

BFQN-135-500-300

Medium pressure design:

BFQN-135-a-b-S

BFQN-135-500-300-S